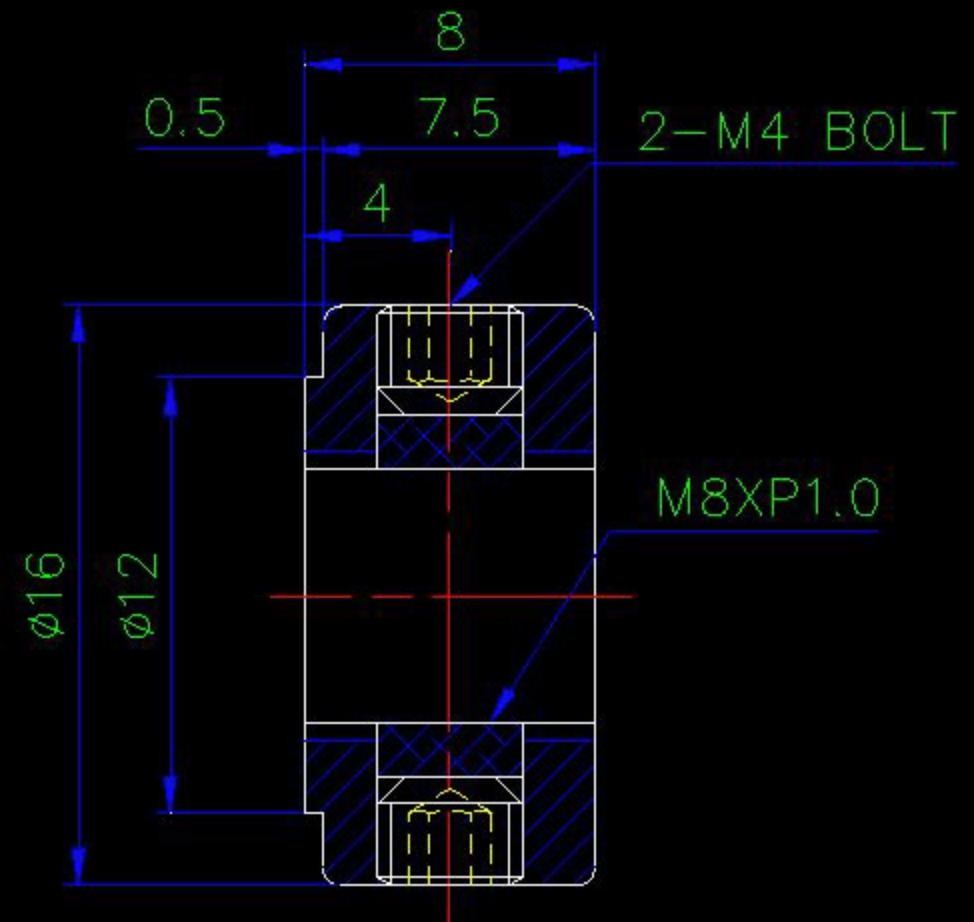
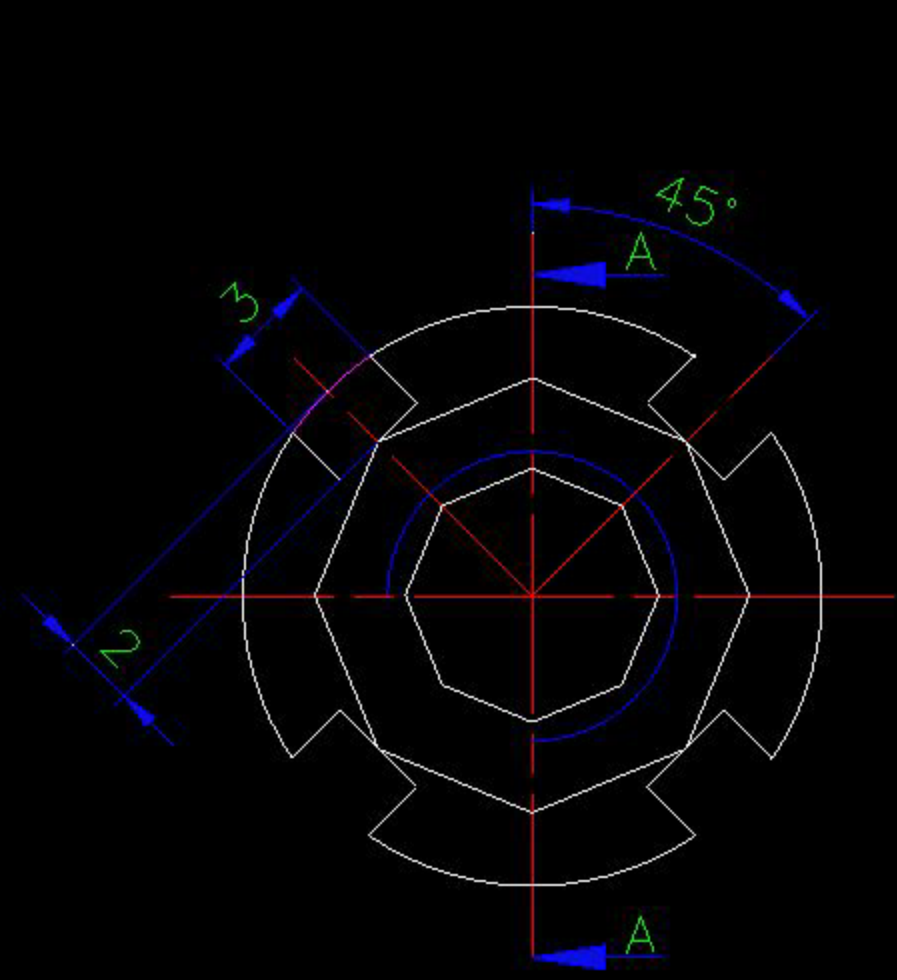


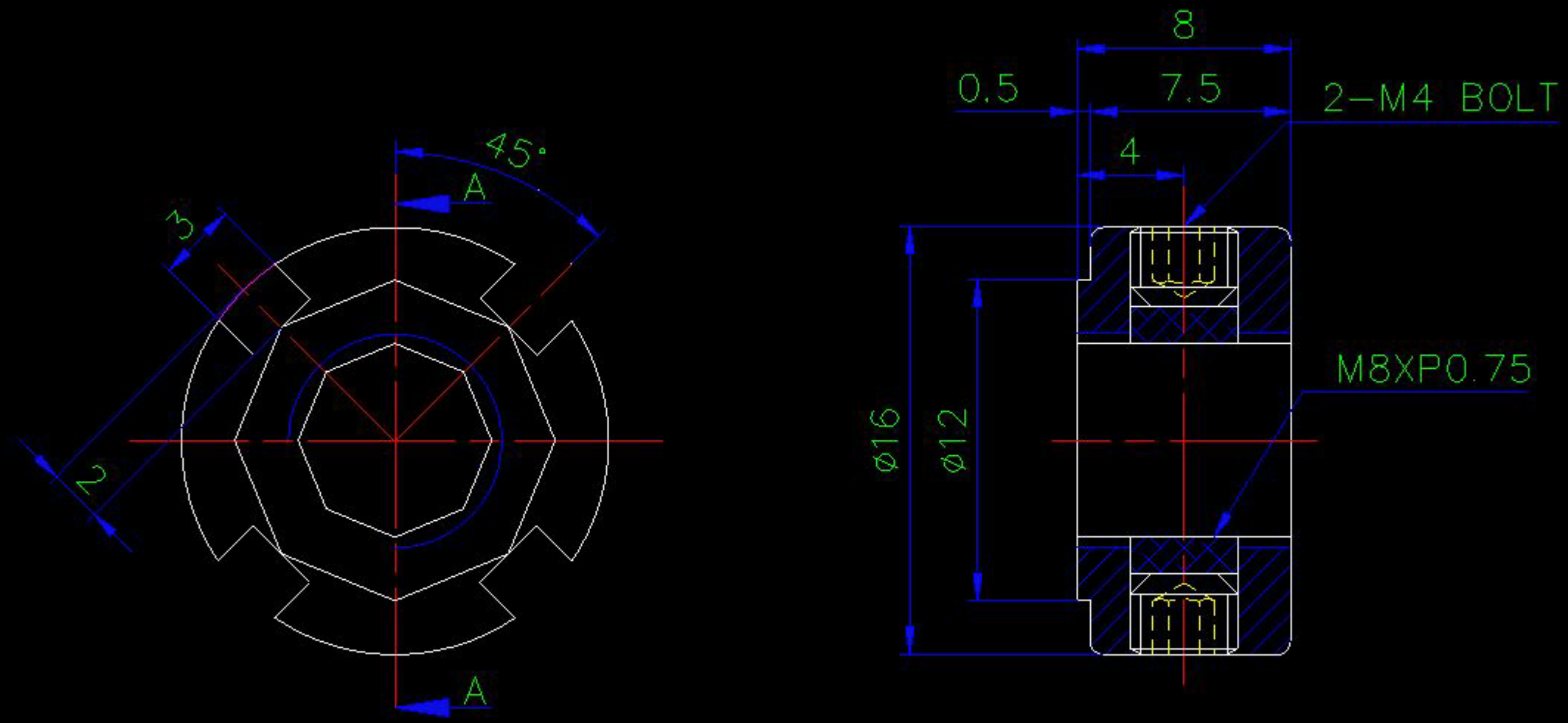
NO	DESCRIPTION	SPECIFICATION	MAT'L	Q'TY	REMARK



SECTION "A" - "A"

REVISION				HEAT TREAT	APPROVED BY	TITLE	
MARK	REASON OF REVISIONS	REVISIONER	CHECKER	DATE		ZN8	
				APPROVED FINISH	CHECKED BY	SIZE	Dwg. NO.
					DRAWN BY	A	
					SIM		SCALE
					SINCE-MACHINERY		1:1
						DATE	

NO	DESCRIPTION	SPECIFICATION	MAT'L	Q'TY	REMARK

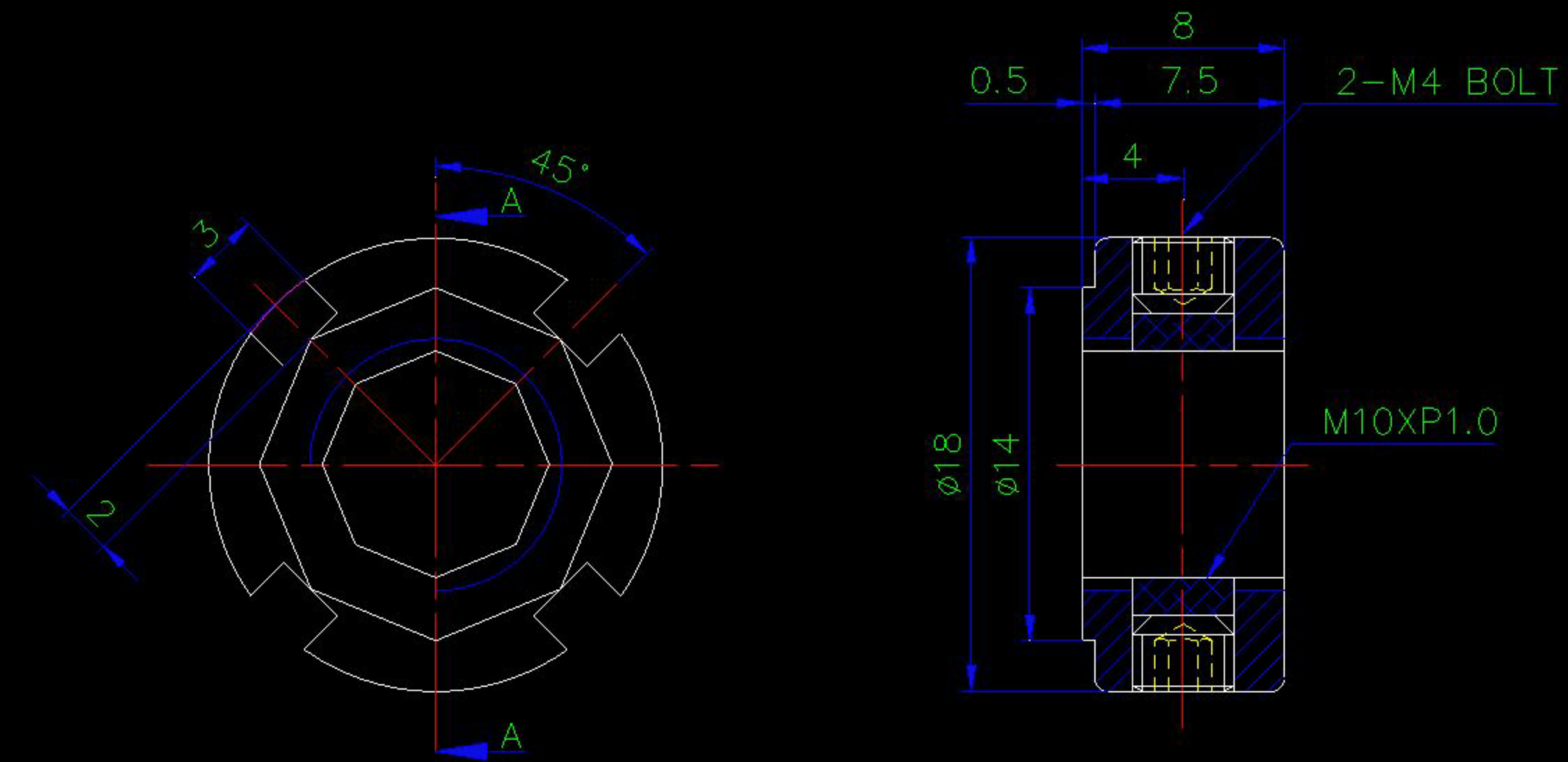


SECTION "A" - "A"

<table border="1"> <thead> <tr> <th>MARK</th> <th>REASON OF REVISIONS</th> <th>REVISIONER</th> <th>CHECKER</th> <th>DATE</th> </tr> </thead> <tbody> <tr> <td> </td> <td> </td> <td> </td> <td> </td> <td> </td> </tr> </tbody> </table>				MARK	REASON OF REVISIONS	REVISIONER	CHECKER	DATE						<table border="1"> <thead> <tr> <th>HEAT TREAT</th> <th>APPROVED BY</th> </tr> </thead> <tbody> <tr> <td> </td> <td> </td> </tr> </tbody> </table>		HEAT TREAT	APPROVED BY			<table border="1"> <thead> <tr> <th>TITLE</th> <th>SIZE</th> </tr> </thead> <tbody> <tr> <td>ZN8-0.75P</td> <td>A</td> </tr> </tbody> </table>		TITLE	SIZE	ZN8-0.75P	A		
MARK	REASON OF REVISIONS	REVISIONER	CHECKER	DATE																							
HEAT TREAT	APPROVED BY																										
TITLE	SIZE																										
ZN8-0.75P	A																										
<table border="1"> <thead> <tr> <th>APPROVED FINISH</th> <th>REVISION</th> <th>APPROVED BY</th> <th>CHECKED BY</th> <th>DRAWN BY</th> </tr> </thead> <tbody> <tr> <td> </td> <td> </td> <td> </td> <td> </td> <td> </td> </tr> </tbody> </table>				APPROVED FINISH	REVISION	APPROVED BY	CHECKED BY	DRAWN BY						<table border="1"> <thead> <tr> <th>SIZE</th> <th>Dwg.NO.</th> </tr> </thead> <tbody> <tr> <td>A</td> <td> </td> </tr> </tbody> </table>		SIZE	Dwg.NO.	A		<table border="1"> <thead> <tr> <th>SCALE</th> <th>1:1</th> <th>DATE</th> </tr> </thead> <tbody> <tr> <td> </td> <td> </td> <td> </td> </tr> </tbody> </table>		SCALE	1:1	DATE			
APPROVED FINISH	REVISION	APPROVED BY	CHECKED BY	DRAWN BY																							
SIZE	Dwg.NO.																										
A																											
SCALE	1:1	DATE																									



NO	DESCRIPTION	SPECIFICATION	MAT'L	Q'TY	REMARK



SECTION "A" - "A"

MARK	REASON OF REVISIONS	REVISIONER	CHECKER	DATE

HEAT TREAT	APPROVED	REVISION

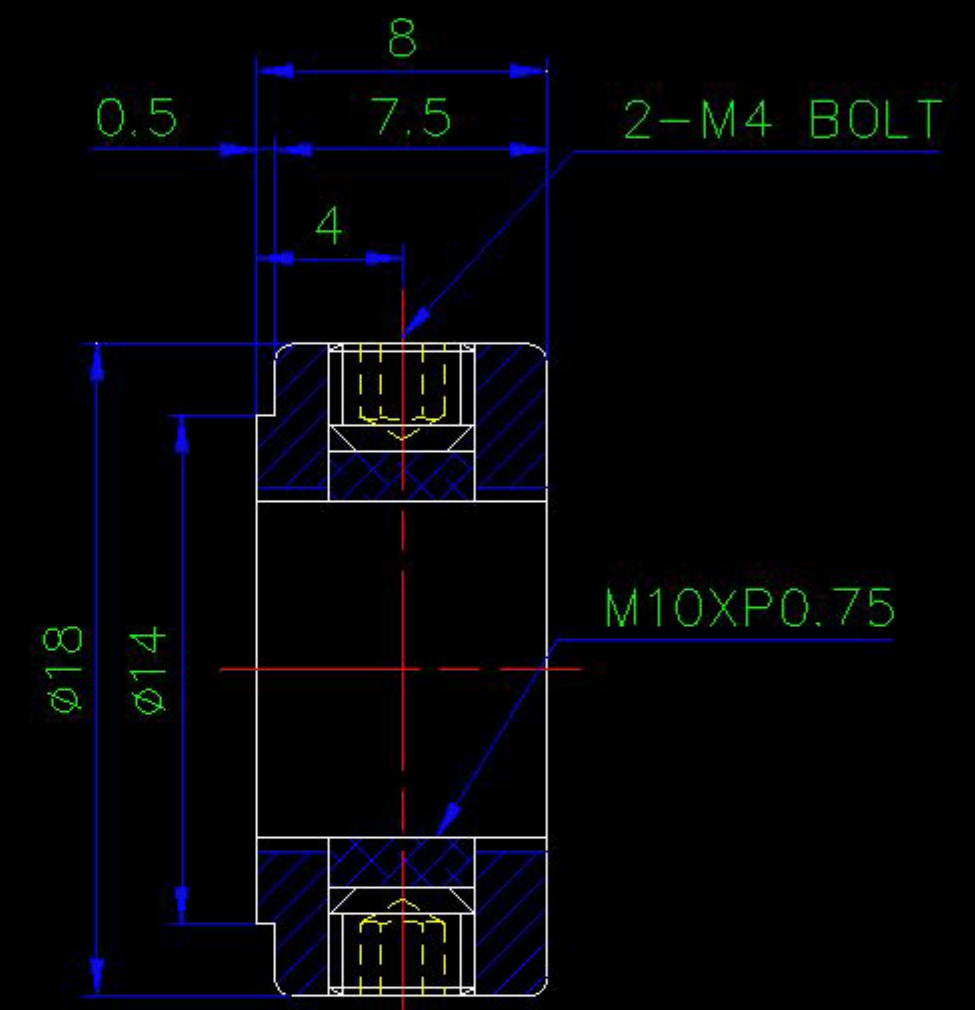
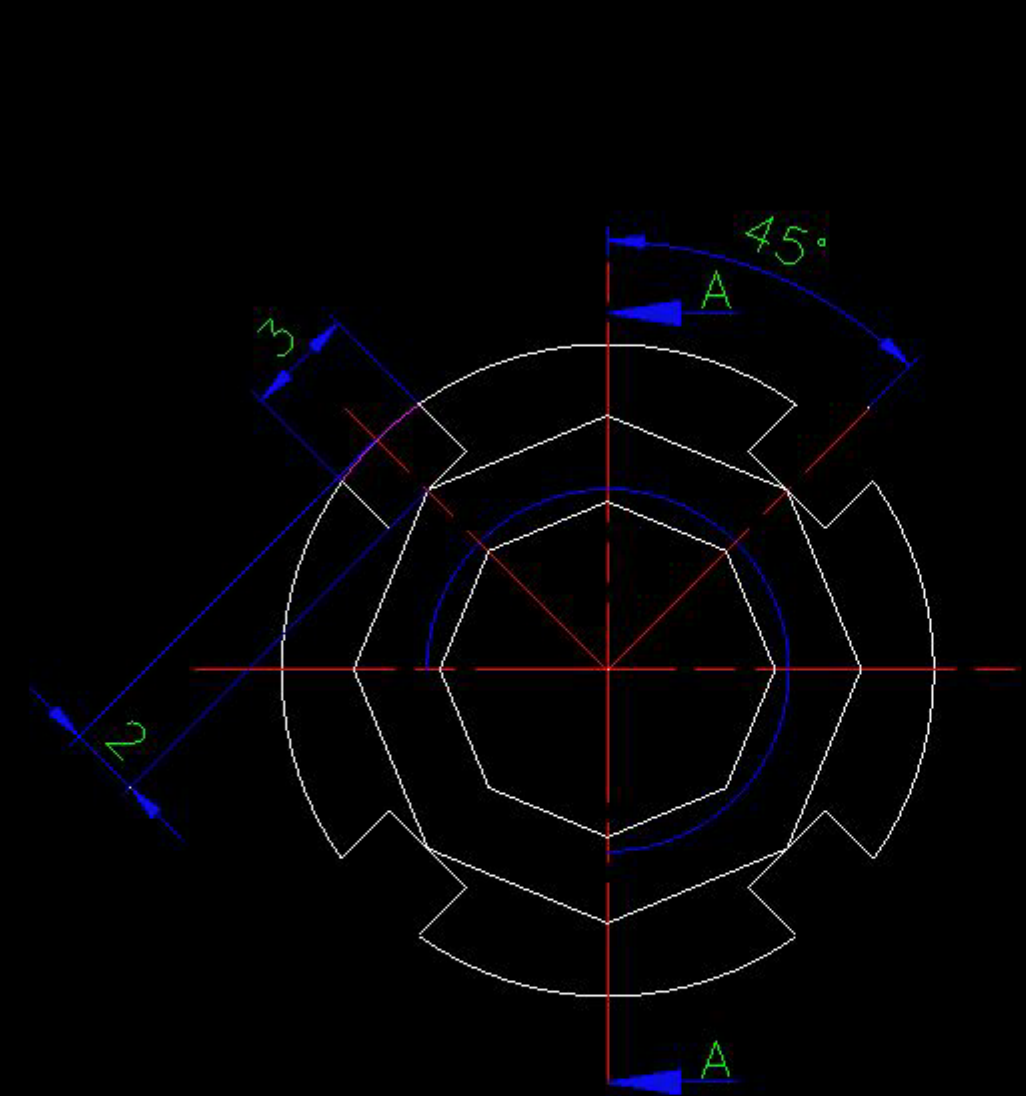
?	?	?	?	?	?
??	???	???	±0.05	±0.1	
6 ~ 30??			±0.1	±0.2	
30 ~ 120??			±0.15	±0.3	
120 ~ 315??			±0.2	±0.5	
315 ~ 1000??			±0.3	±0.8	
1000 ~ 2000??			±0.5	±1.2	
???	???		R = 0.2~0.3		
?	???		C = 0.2~0.3		

APPROVED BY	
CHECKED BY	
DRAWN BY	



TITLE	ZN10		
SIZE	A	Dwg.NO.	
SCALE	1:1	DATE	

NO	DESCRIPTION	SPECIFICATION	MAT'L	Q'TY	REMARK



SECTION "A" - "A"

MARK	REASON OF REVISIONS	REVISIONER	CHECKER	DATE

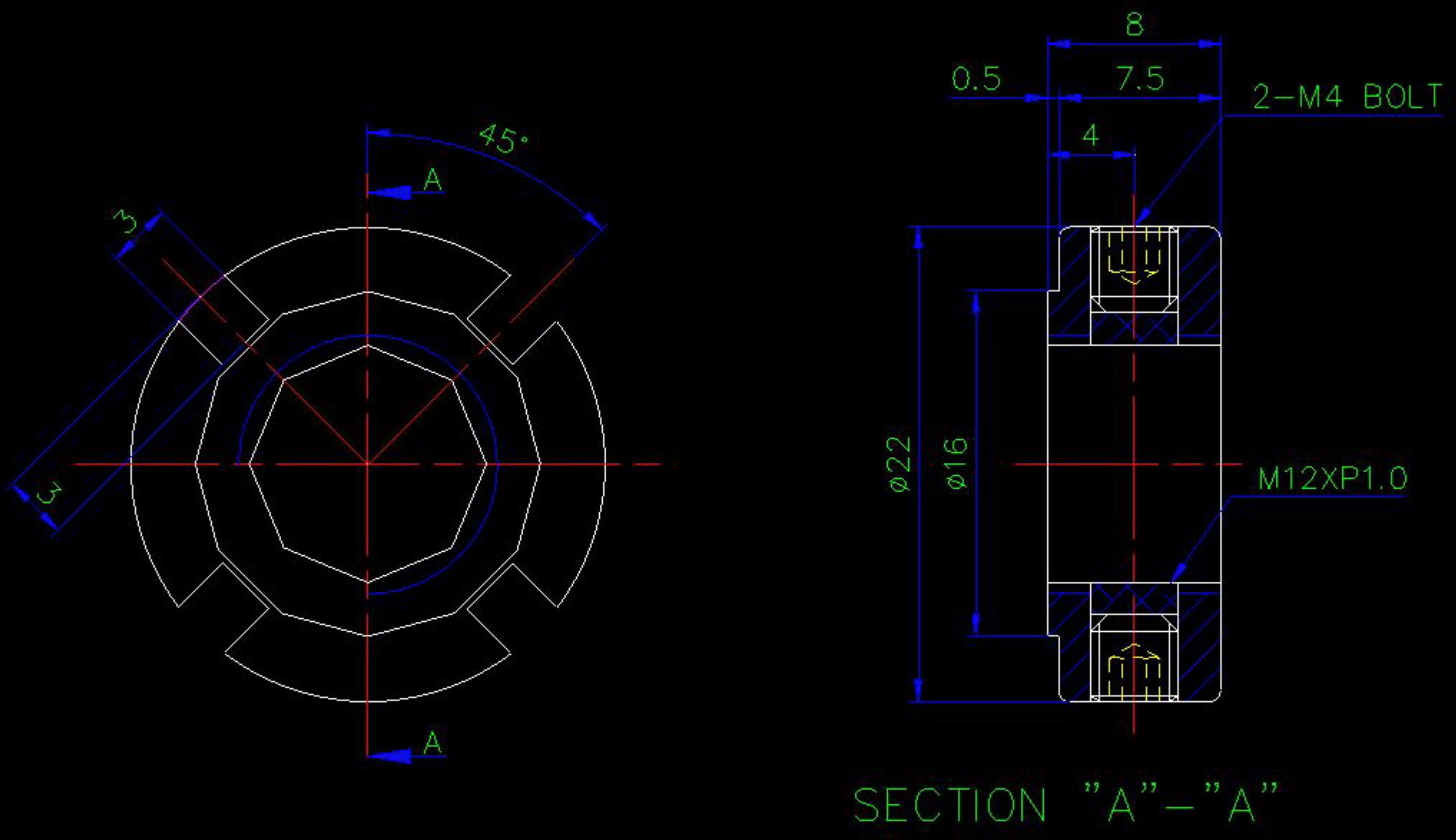
HEAT TREAT	APPROVED TIRSH

APPROVED BY	
CHECKED BY	
DRAWN BY	



TITLE	ZN10-0.75P		
SIZE	A	Dwg.NO.	
SCALE	1:1	DATE	

NO	DESCRIPTION	SPECIFICATION	MAT'L	Q'TY	REMARK



MARK	REASON OF REVISIONS	REVISIONER	CHECKER	DATE
REVISION				

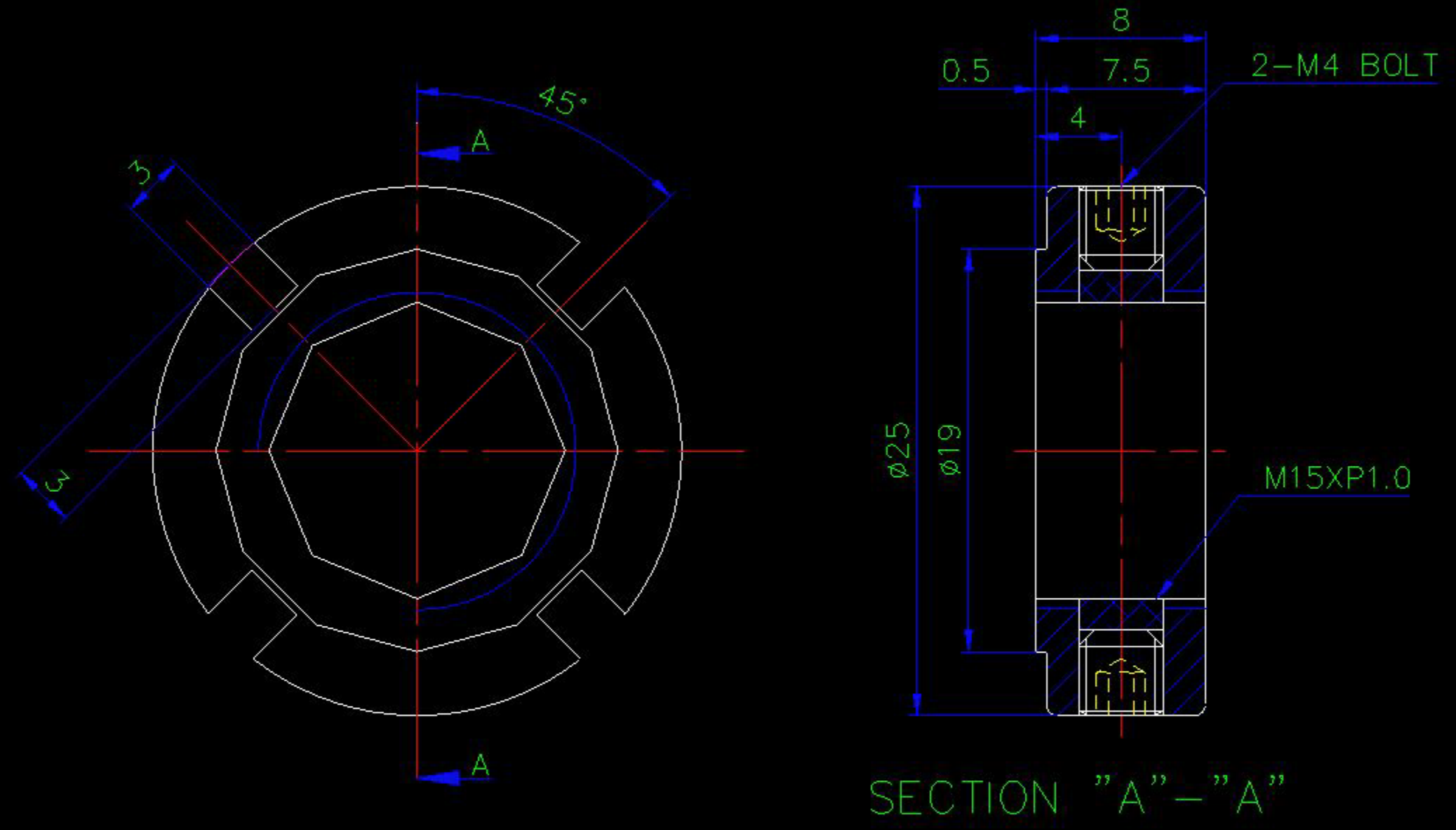
HEAT TREAT	APPROVED BY	CHECKED BY	DRAWN BY

TITLE	SIZE	Dwg.NO.
ZN12	A	



SCALE	DATE
1:1	

NO	DESCRIPTION	SPECIFICATION	MAT'L	Q'TY	REMARK



SECTION "A" - "A"

MARK	REASON OF REVISIONS	REVISIONER	CHECKER	DATE
REVISION				

HEAT TREAT	APPROVED FINISH	APPROVED BY

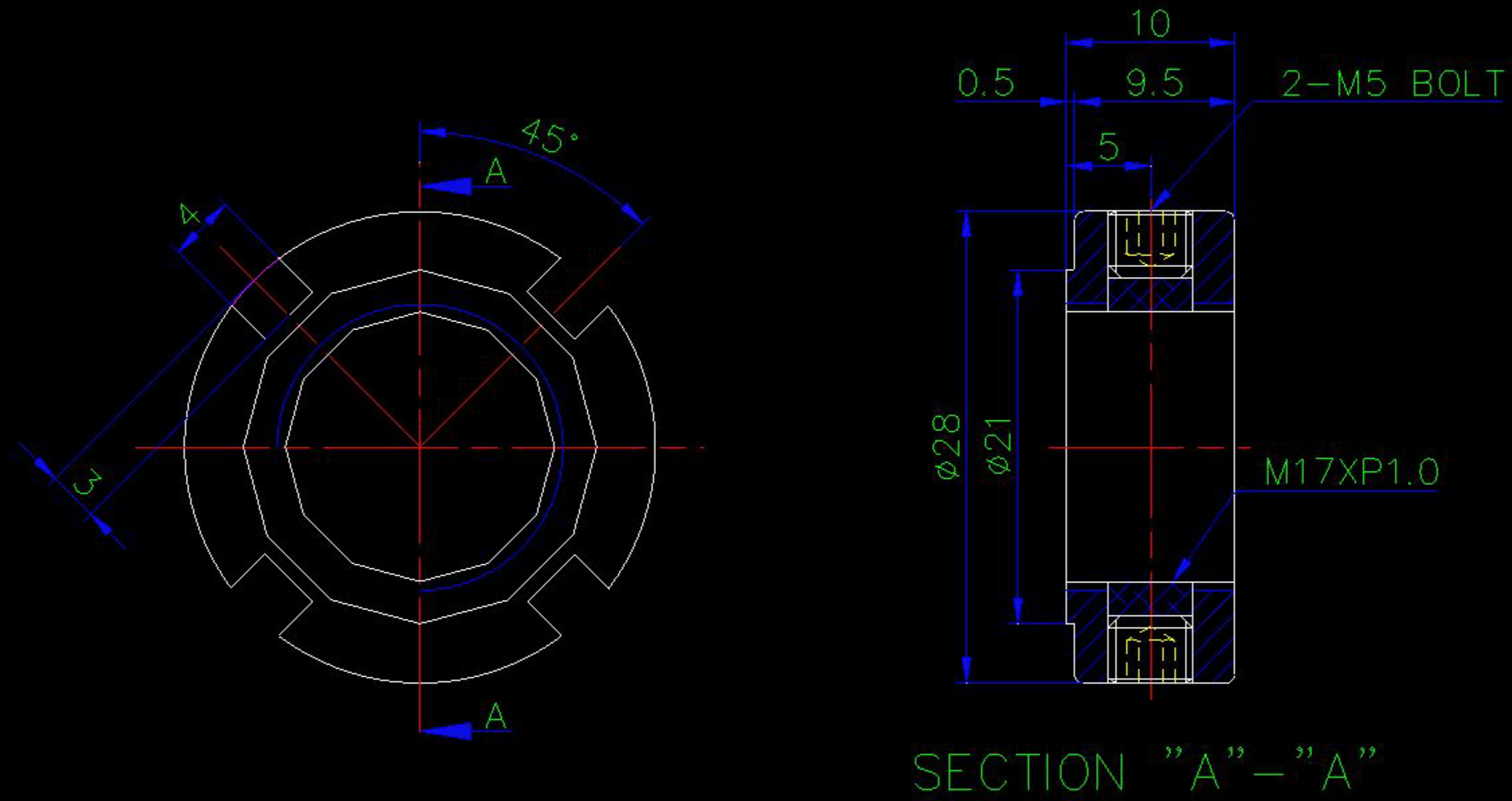
APPROVED BY	
CHECKED BY	
DRAWN BY	



TITLE		ZN15	
SIZE	Dwg NO.		
A	SCALE	1:1	DATE

0.5 ~ 6??	±0.05	±0.1
6 ~ 30??	±0.1	±0.2
30 ~ 120??	±0.15	±0.3
120 ~ 315??	±0.2	±0.5
315 ~ 1000 ??	±0.3	±0.8
1000 ~ 2000??	±0.5	±1.2
???	R = 0.2~0.3	
	C = 0.2~0.3	

NO	DESCRIPTION	SPECIFICATION	MAT'L	Q'TY	REMARK



??	???	???
0.5 ~ 6??	±0.05	±0.1
6 ~ 30??	±0.1	±0.2
30 ~ 120??	±0.15	±0.3
120 ~ 315??	±0.2	±0.5
315 ~ 1000 ?	±0.3	±0.8
1000 ~ 2000??	±0.5	±1.2
???	R = 0.2~0.3	
? ??	C = 0.2~0.3	

APPROVED BY	
CHECKED BY	
DRAWN BY	

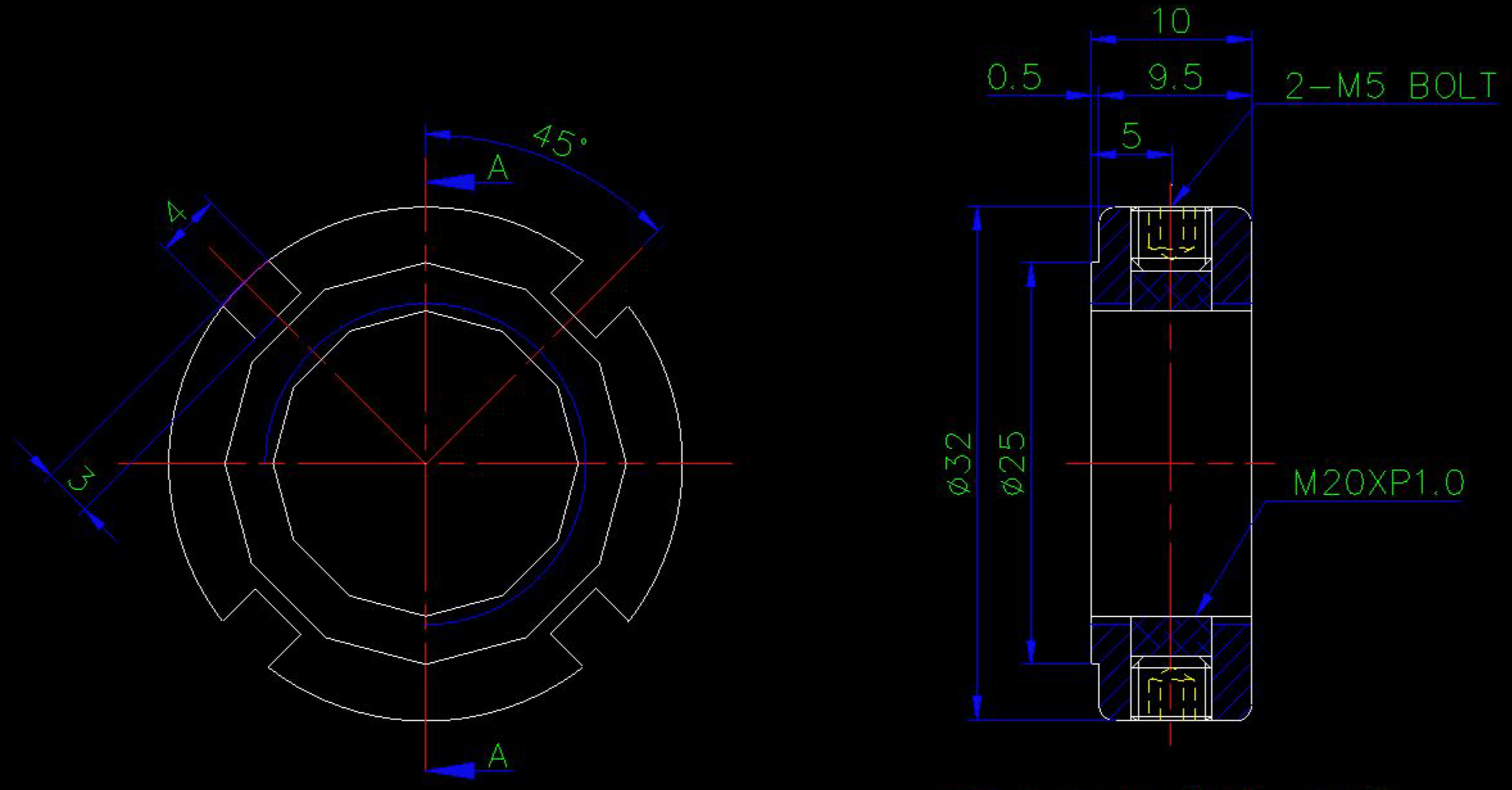
TITLE	ZN17		
SIZE	A		
Dwg NO.	SCALE	1:1	DATE

MARK	REASON OF REVISIONS	REVISIONER	CHECKER	DATE

HEAT TREAT	
APPROVED FINISH	



NO	DESCRIPTION	SPECIFICATION	MAT'L	Q'TY	REMARK



SECTION "A" - "A"

MARK	REASON OF REVISIONS	REVISIONER	CHECKER	DATE

HEAT TREAT	APPROVED THRU

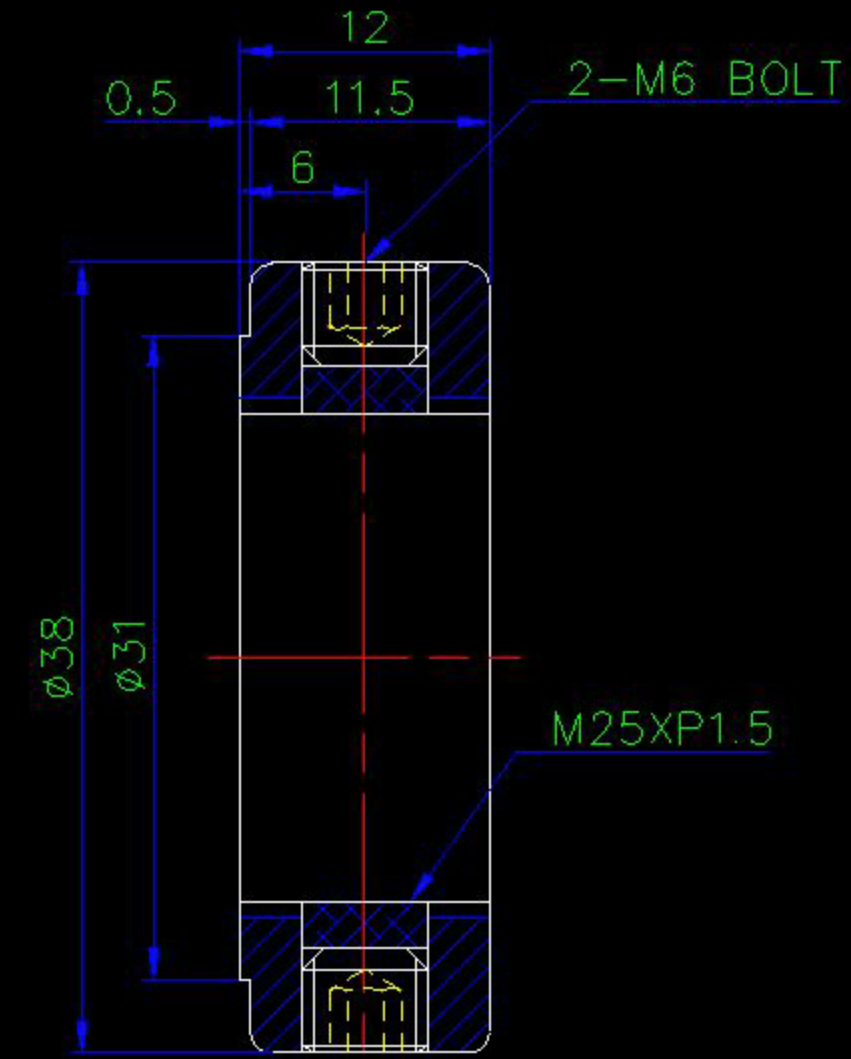
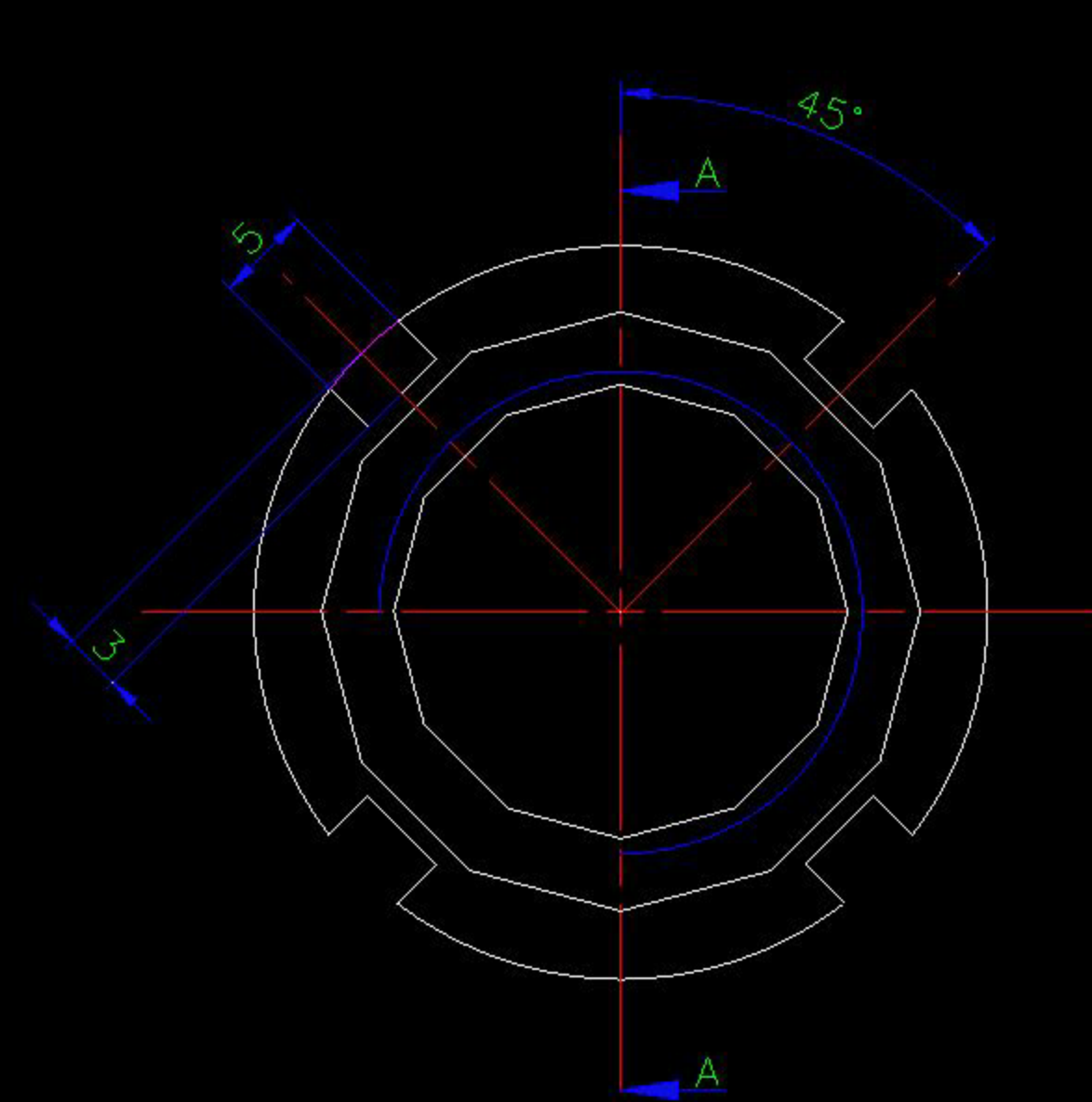
??	??	??
0.5 ~ 6??	±0.05	±0.1
6 ~ 30??	±0.1	±0.2
30 ~ 120??	±0.15	±0.3
120 ~ 315??	±0.2	±0.5
315 ~ 1000??	±0.3	±0.8
1000 ~ 2000??	±0.5	±1.2
???	R = 0.2~0.3	
	C = 0.2~0.3	

APPROVED BY	
CHECKED BY	
DRAWN BY	



TITLE	ZN20		
SIZE	A		
Dwg.NO			
SCALE	1:1	DATE	

NO	DESCRIPTION	SPECIFICATION	MAT'L	Q'TY	REMARK



SECTION "A"-"A"

MARK	REASON OF REVISIONS	REVISIONER	CHECKER	DATE
REVISION				

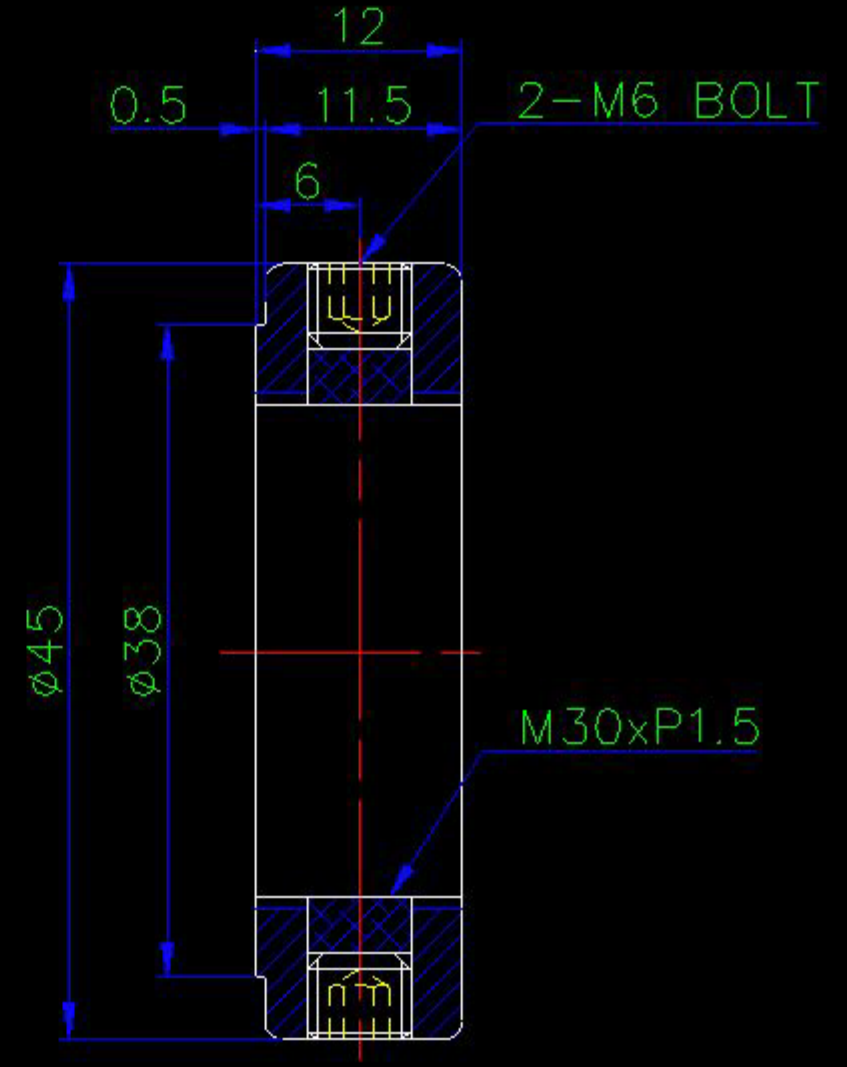
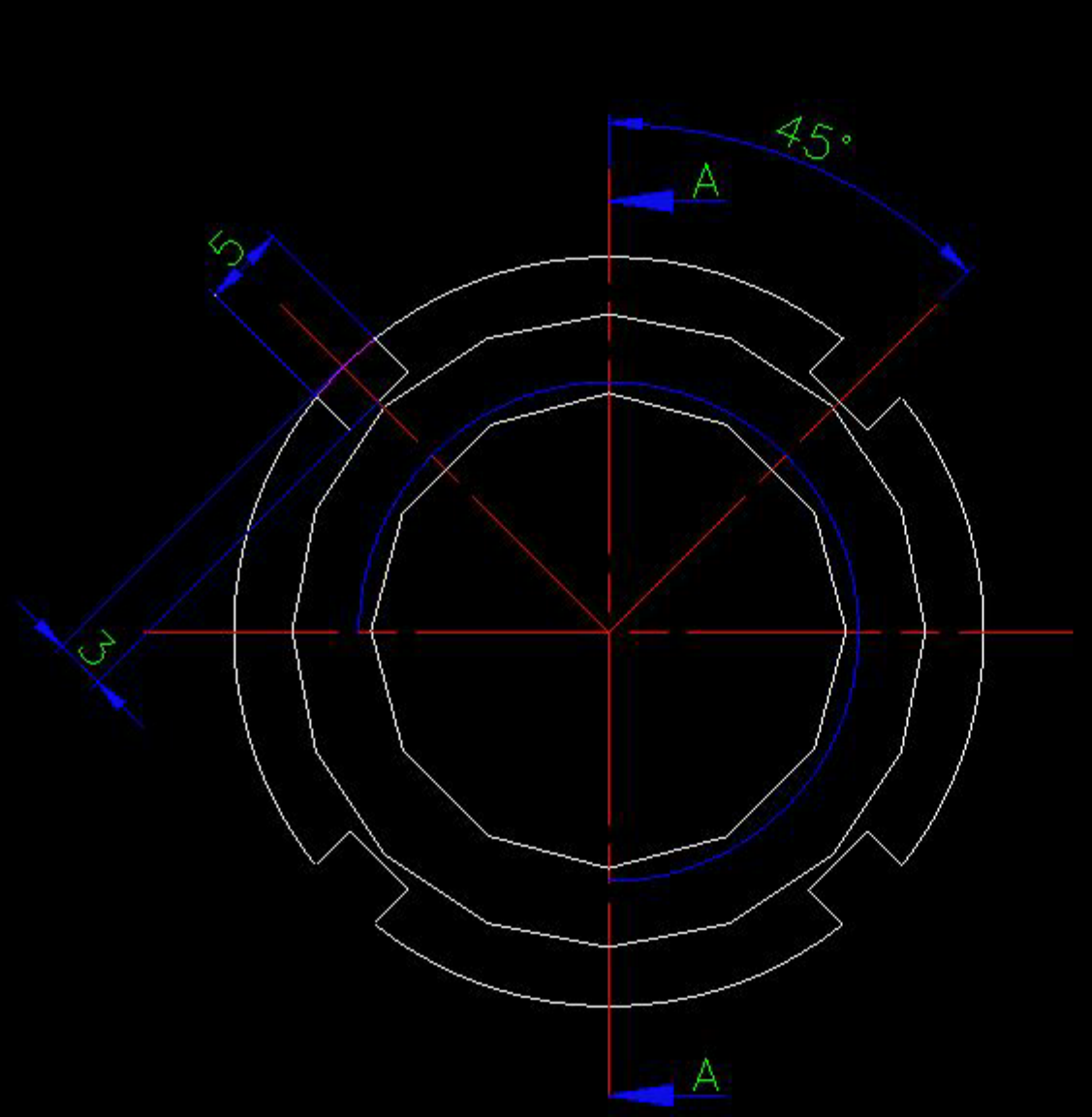
HEAT TREAT	APPROVED FINISH

APPROVED BY	
CHECKED BY	
DRAWN BY	



TITLE		ZN25	
SIZE	Dwg.NO.	SCALE	DATE
A		1:1	

NO	DESCRIPTION	SPECIFICATION	MAT'L	Q'TY	REMARK



SECTION "A"-"A"

MARK	REASON OF REVISIONS	REVISIONER	CHECKER	DATE

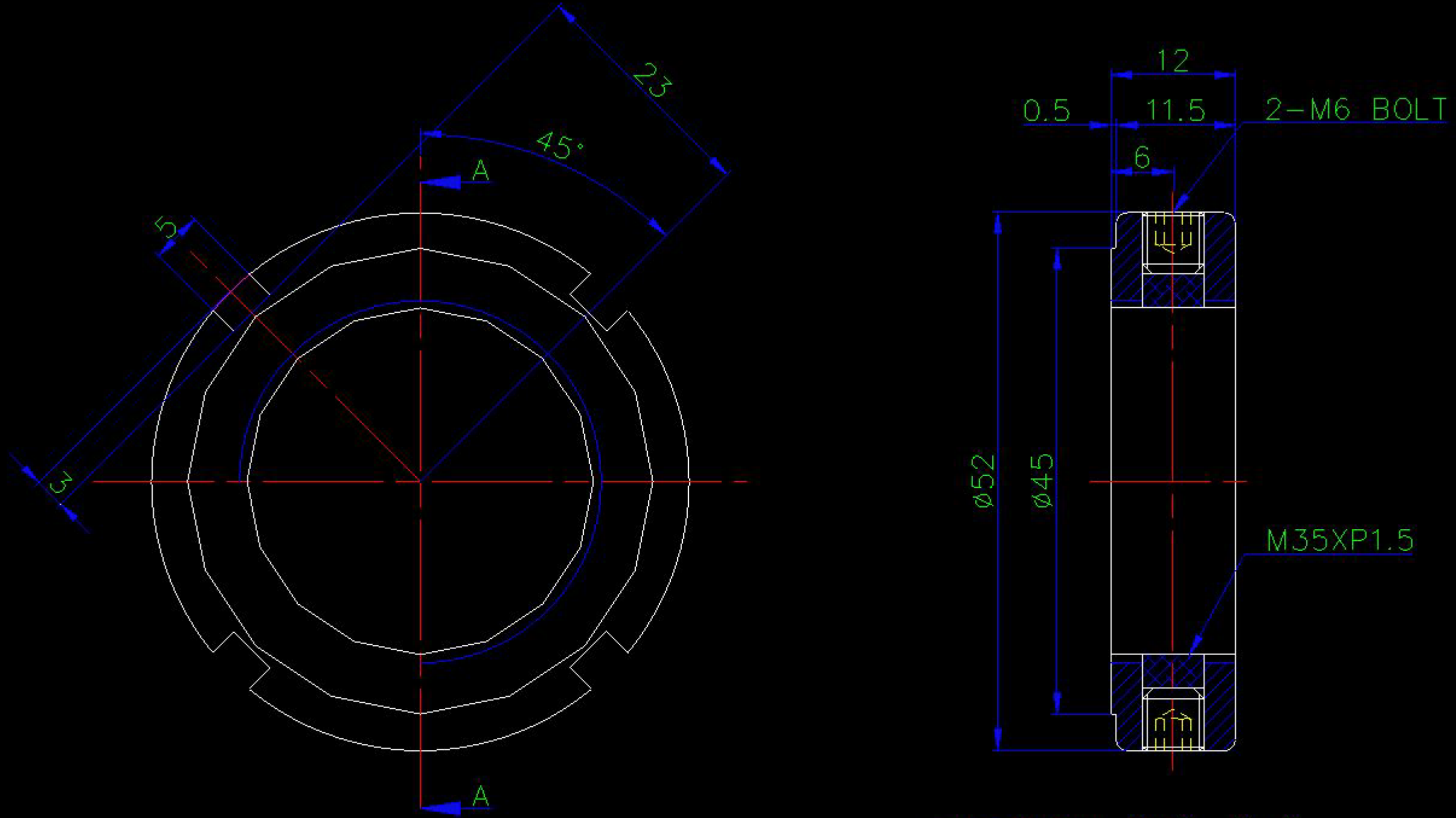
HEAT TREAT	APPROVED FINISH

APPROVED BY	
CHECKED BY	
DRAWN BY	



TITLE	ZN30		
SIZE	A		
Dwg.NO.			
SCALE	1:1	DATE	

NO	DESCRIPTION	SPECIFICATION	MAT'L	Q'TY	REMARK



SECTION "A" - "A"

MARK	REASON OF REVISIONS	REVISIONER	CHECKER	DATE

HEAT TREAT

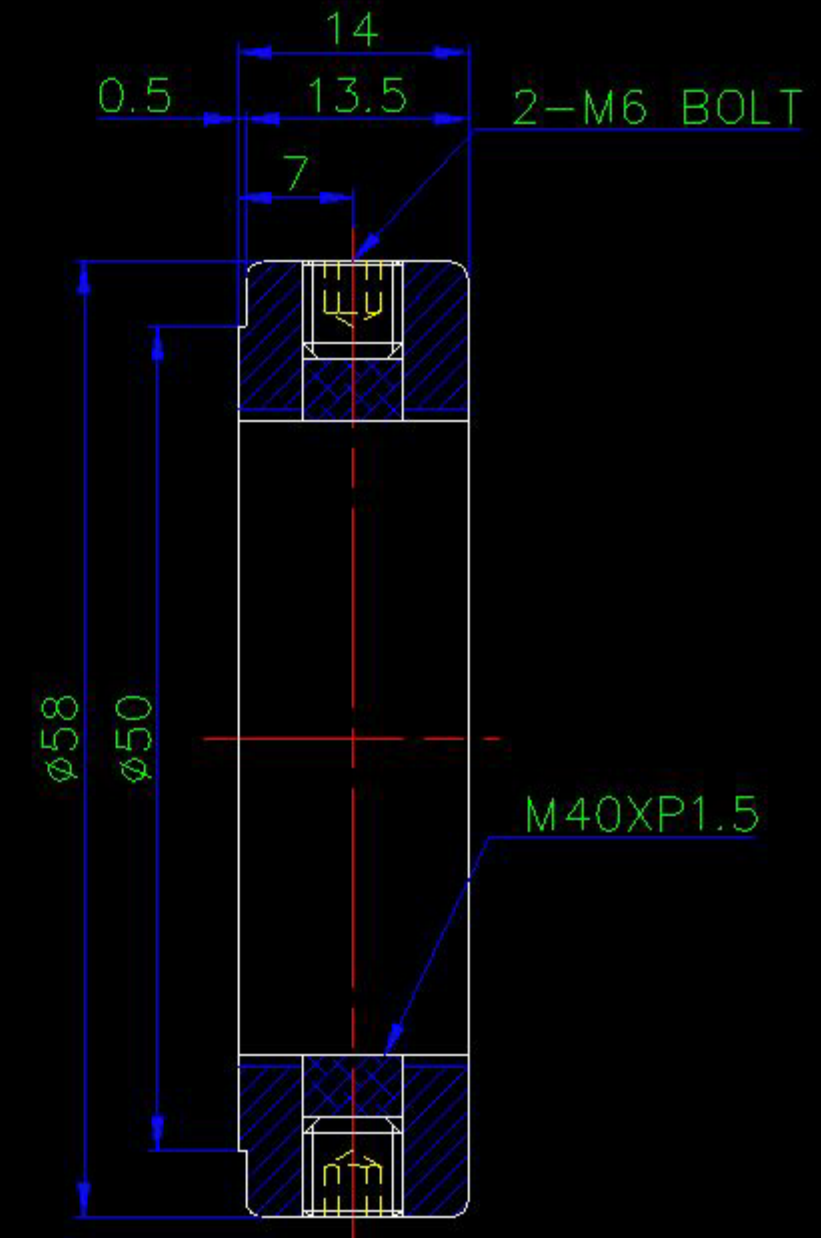
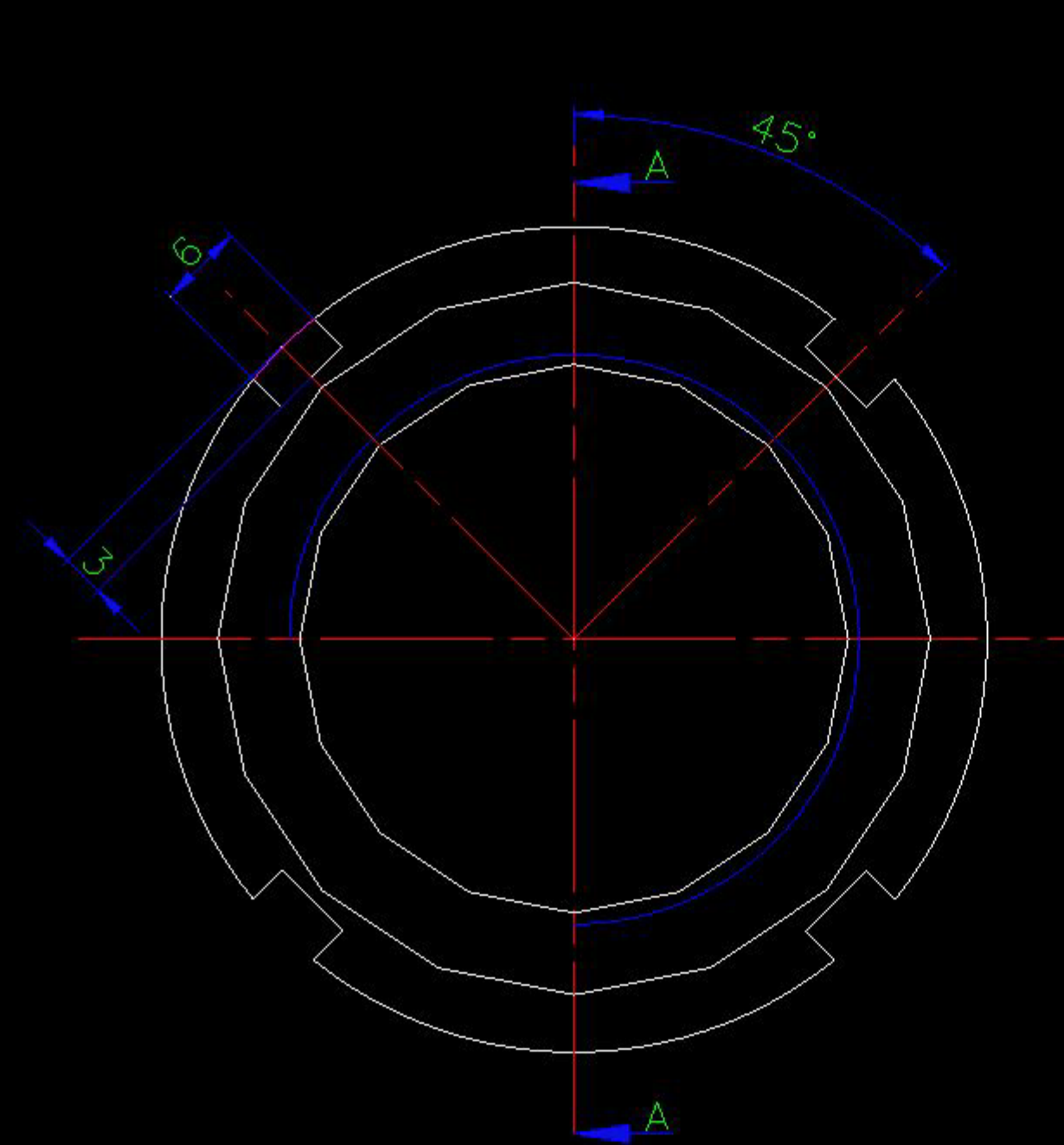
??	???	???
0.5 ~ 6??	±0.05	±0.1
6 ~ 30??	±0.1	±0.2
30 ~ 120??	±0.15	±0.3
120 ~ 315??	±0.2	±0.5
315 ~ 1000??	±0.3	±0.8
1000 ~ 2000??	±0.5	±1.2
???? ???	R = 0.2~0.3	
? ???	C = 0.2~0.3	

APPROVED BY	
CHECKED BY	
DRAWN BY	



TITLE		ZN35	
SIZE	A	Dwg NO.	
SCALE	1:1	DATE	

NO	DESCRIPTION	SPECIFICATION	MAT'L	Q'TY	REMARK



SECTION "A"-"A"

MARK	REASON OF REVISIONS	REVISIONER	CHECKER	DATE

HEAT TREAT	APPROVED FINISH
315 ~ 1000	7777 777
1000 ~ 2000	9 799

APPROVED BY	
CHECKED BY	
DRAWN BY	

TITLE	ZN40		
SIZE	A		
Dwg.NO.	SCALE	DATE	
	1-1		

