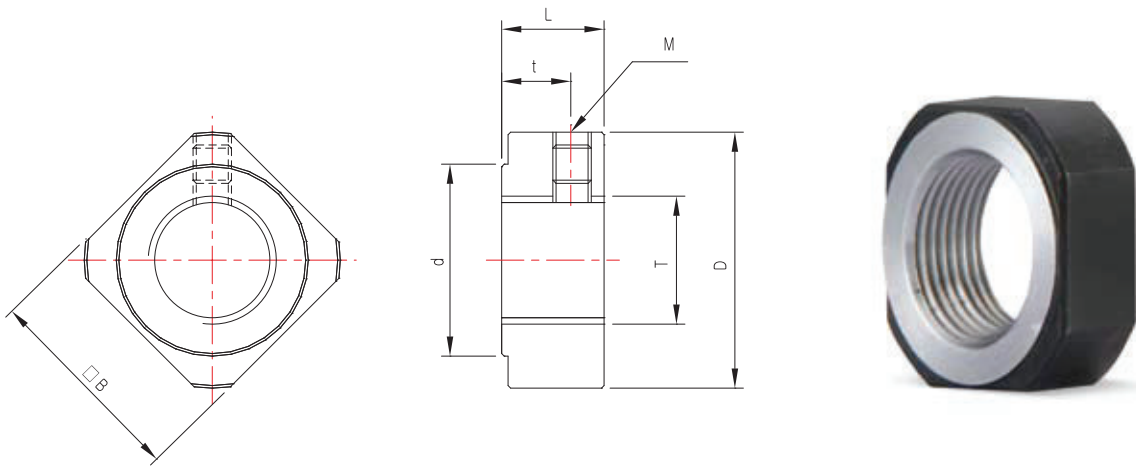


LOCK-NUT : RN SERIES



LOCK-NUT (GENERAL LOAD)



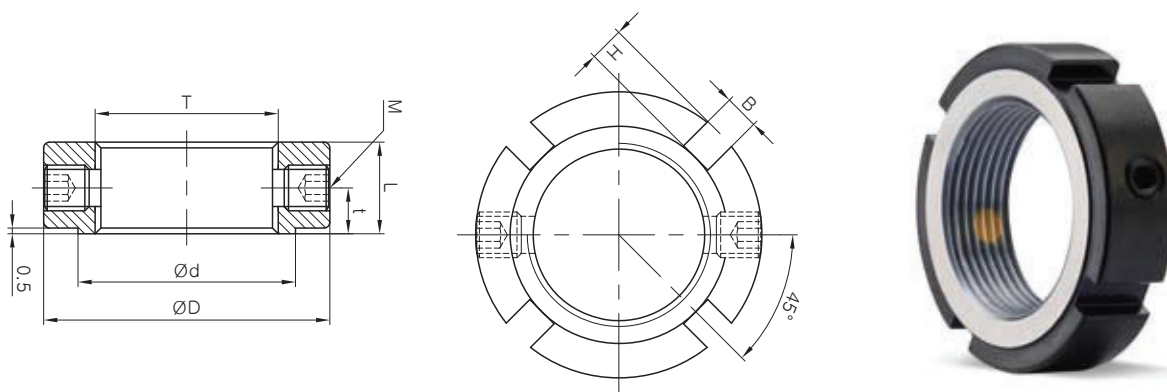
Dimensions

Model	Sizes (mm)							Fastening Torque (N.m)	Mass (g)
	T	M	D	d	L	t	□B		
RN4	M4×0.5	M3×0.5	11	8.5	5	2.7	10	1.6	4
RN5	M5×0.5	M3×0.5	13	9	5	2.7	11	2	5
RN6	M6×0.75	M3×0.5	14.5	10	5	2.7	12	2.5	5
RN8	M8×1	M3×0.5	17	13	6.5	4	14	5	8
RN8 (0.75P)	M8×0.75	M3×0.5	17	13	6.5	4	14	5	8
RN10	M10×1	M4×0.7	20	15	8	5.5	16	9.5	10
RN10 (0.75P)	M10×0.75	M4×0.7	20	15	8	5.5	16	9.5	10
RN12	M12×1	M4×0.7	22	17	8	5.5	19	14	14
RN15	M15×1	M4×0.7	25	21	8	4.5	22	24	15
RN17	M17×1	M4×0.7	30	25	13	9	24	35	17
RN20	M20×1	M4×0.7	35	26	11	7	30	48	35
RN25	M25×1.5	M5×0.8	43	33	15	10	35	86	45
RN30	M30×1.5	M6×1	48	39	20	14	40	128	80
RN35	M35×1.5	M8×1.25	60	46	21	14	50	192	130
RN40	M40×1.5	M8×1.25	63	51	25	18	50	256	235

LOCK-NUT : ZN SERIES



LOCK-NUT (GENERAL LOAD)



Dimensions

Model	Sizes (mm)								Fastening Torque (N.m)	Mass (g)
	T	M	D	d	L	t	B	H		
ZN8	M8X1.0	2-M4X0.7	16	12	8	4	3	2	5	7
ZN8 (0.75P)	M8X0.75	2-M4X0.7	16	12	8	4	3	2	5	7
ZN10	M10X1.0	2-M4X0.7	18	14	8	4	3	2	9.5	9
ZN10 (0.75P)	M10X0.75	2-M4X0.7	18	14	8	4	3	2	9.5	9
ZN12	M12X1.0	2-M4X0.7	22	16	8	4	3	3	14	13
ZN15	M15X1.0	2-M4X0.7	25	19	8	4	3	3	24	17
ZN17	M17X1.0	2-M5X0.8	28	21	10	5	4	3	35	25
ZN20	M20X1.0	2-M5X0.8	32	25	10	5	4	3	48	33
ZN25	M25X1.5	2-M6X1	38	31	12	6	5	3	86	54
ZN30	M30X1.5	2-M6X1	45	38	12	6	5	3	128	77
ZN35	M35X1.5	2-M6X1	52	45	12	6	5	3	192	103
ZN40	M40X1.5	2-M6X1	58	50	14	7	6	3	256	143