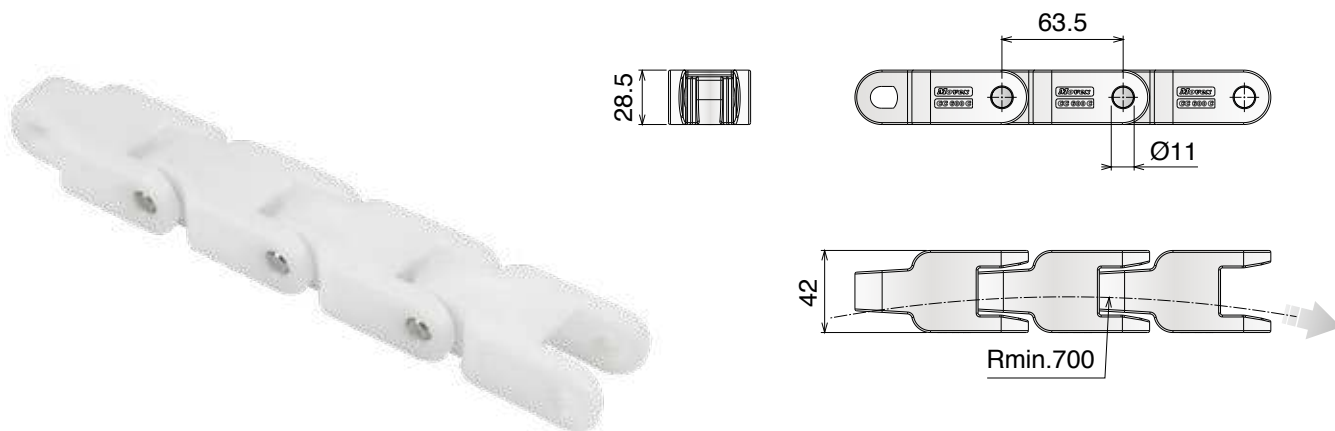


CC 600 D

Catena curvilinea
Sideflexing chain / Kurvengängige Scharnierbandkette

Delivery: **Easy** Standard

Pins: Stainless Steel | Backflex radius min.: 50 mm



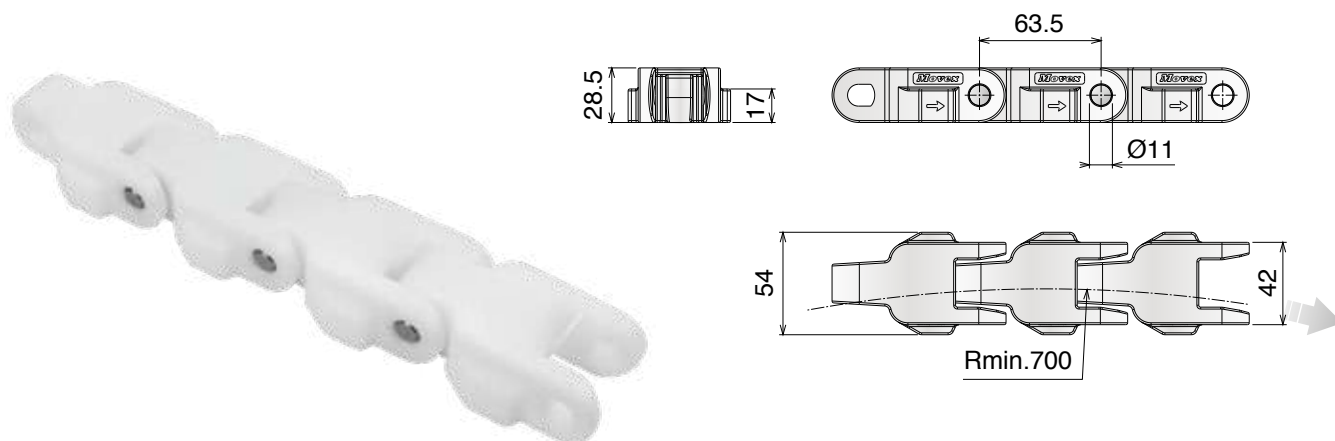
Article-Nr.	Ref.	Plate Width mm	Weight kg/m	Max working load N	Material
11220410	CC 600 D	42	1,40	4000	LFN
11220310	CC 600 D	42	1,40	3200	MX

CC 600 D TAB

Catena curvilinea
Sideflexing chain / Kurvengängige Scharnierbandkette

Delivery: **Easy** Standard

Pins: Stainless Steel | Backflex radius min.: 50 mm



TAB SYSTEM



Article-Nr.	Ref.	Plate Width mm	Weight kg/m	Max working load N	Material
11230410	CC 600 D TAB	42	1,55	4000	LFN
11230310	CC 600 D TAB	42	1,55	3200	MX

Materiale / Material / Materialien:

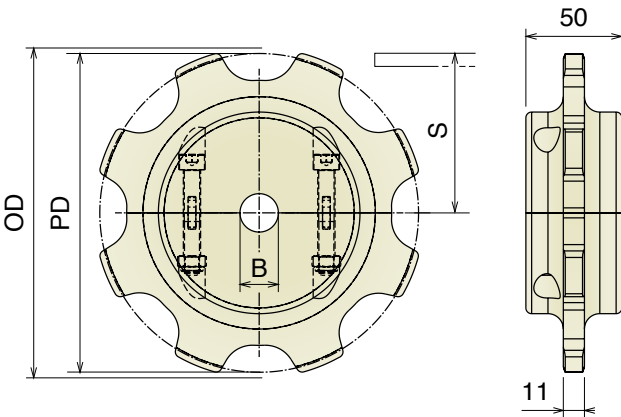
Poliamide/Polyamide/Polyamid

Viti: Acciaio inox/Screws: Stainless steel/Schrauben: Edelstahl

Dadi: Ferro zincato/Nuts: Zinc plated steel/Mutter: Verzinkter Stahl

CC 600 Ruota rinvio divisa, fresata Split idler sprocket, machined / geteiltes Umlenkrad, gefräst

For adequate quantities these sprockets can be delivered with finished bore.

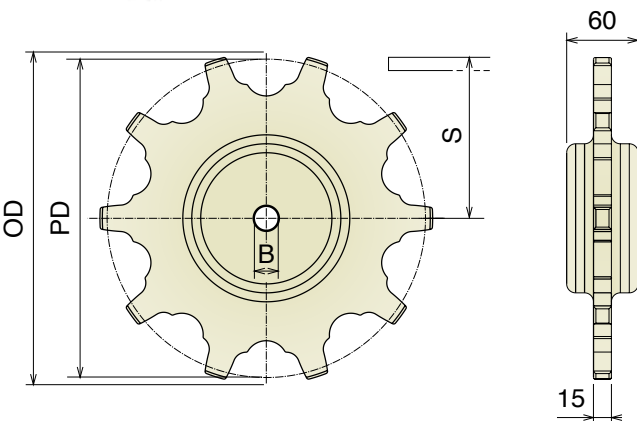


Part	Article-Nr.	Z-	Bore	PD	OD	S
565	56550	8	20	166,0	172,0	70,0
566	56650	10	20	205,0	215,0	89,5
567	56750	12	20	246,0	256,0	110,0
568	56850	14	20	286,0	297,0	130,0

Other bores available on request

CC 1400 Ruota rinvio, fresata Idler sprocket, machined / Umlenkrad, gefräst

For adequate quantities these sprockets can be delivered with finished bore.



Part	Article-Nr.	Z-	Bore	PD	OD	S
570	57050E	7	20	190,0	202,0	78,0
571	57150E	8	20	218,0	227,6	92,0
572	57250E	10	20	267,0	279,0	116,0

Other bores available on request