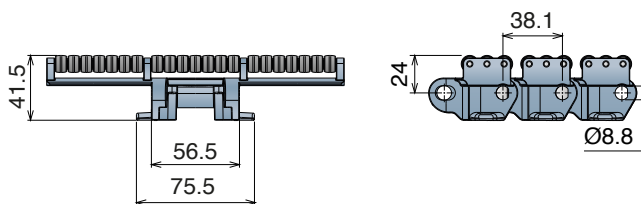


## 882 TAB LBP

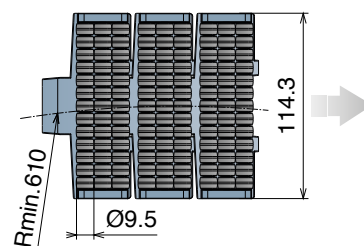
Catena curvilinea  
Sideflexing chain / Kurvengängige Scharnierbandkette

Delivery: **Easy** Standard

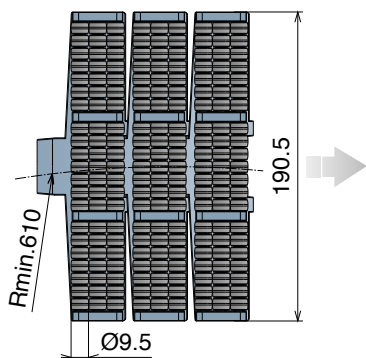
Pins: Stainless Steel | Backflex radius min.: 150 mm



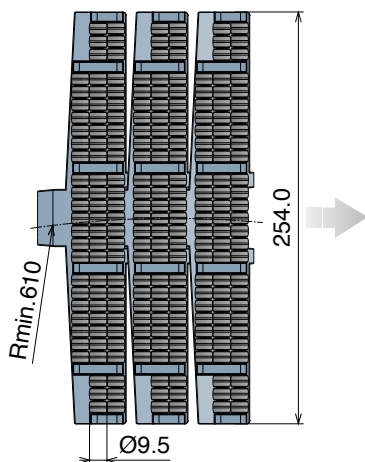
### K450



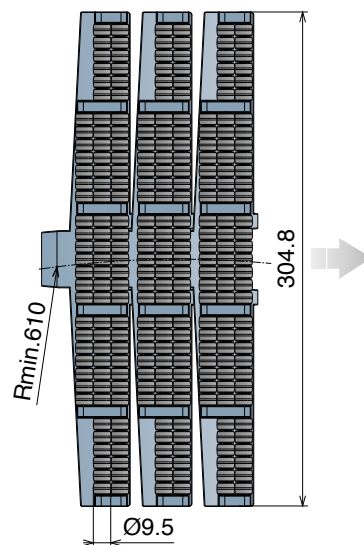
### K750



### K1000



### K1200



### TAB SYSTEM

5 feet  
1.524 m  
40 links

pg. 92-93

pg. 174/183

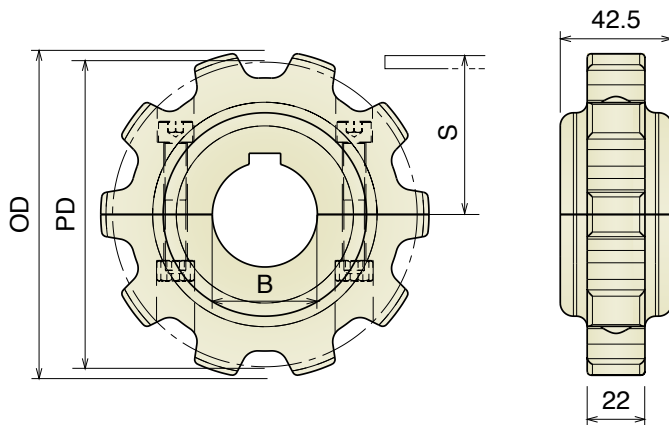
pg. 771>781

Article-Nr.	Ref.	Plate Width mm	Weight kg/m	Max working load N	Material
11180105	LFA 882 TAB LBP K450	114,3	4,00	3830	LFA
11180107	LFA 882 TAB LBP K750	190,5	4,70		
11180108	LFA 882 TAB LBP K1000	254,0	5,95		
11180109	LFA 882 TAB LBP K1200	304,8	6,55		

## 882

## Ruota traino divisa, fresata

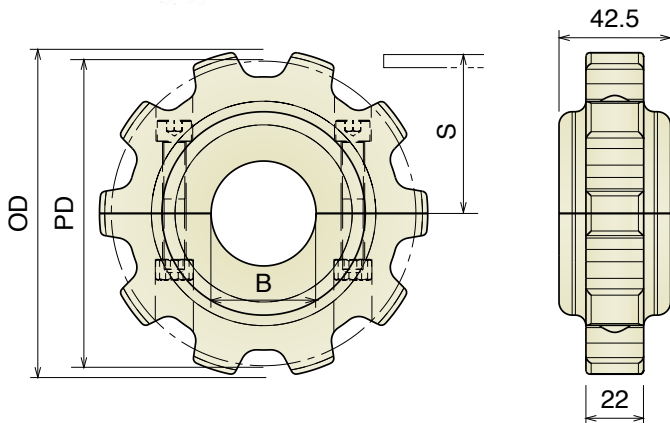
## Split drive sprocket, machined / geteiltes Antriebskettenrad gefräst

Delivery: **Easy** **Standard** Also suitable for Series 8257

Part	Article-Nr.	Z	Bore	PD	OD	S
551	55101	9	25	111,4	112,0	60,5
551	55102		30			
551	55103		35			
551	55104		40			
552	55201	10	25	123,2	125,0	66,4
552	55202		30			
552	55203		35			
552	55204		40			
553	55301	11	25	135,2	137,0	72,4
553	55302		30			
553	55303		35			
553	55304		40			
554	55401	12	25	147,2	149,0	78,4
554	55402		30			
554	55403		35			
554	55404		40			
554	55406		50			

## Ruota rinvio divisa, fresata

## Split idler sprocket, machined / geteiltes Umlenrad, gefräst



Part	Article-Nr.	Z	Bore	PD	OD	S
551	55150	9	18*	111,4	112,0	60,5
551	55151		25			
551	55152		30			
551	55153		35			
551	55154		40			
552	55250	10	18*	123,2	125,0	66,4
552	55251		25			
552	55252		30			
552	55253		35			
552	55254		40			
553	55350	11	18*	135,2	137,0	72,4
553	55351		25			
553	55352		30			
553	55353		35			
553	55354		40			
554	55450	12	18*	147,2	149,0	78,4
554	55451		25			
554	55452		30			
554	55453		35			
554	55454		40			

\*Plain Bore

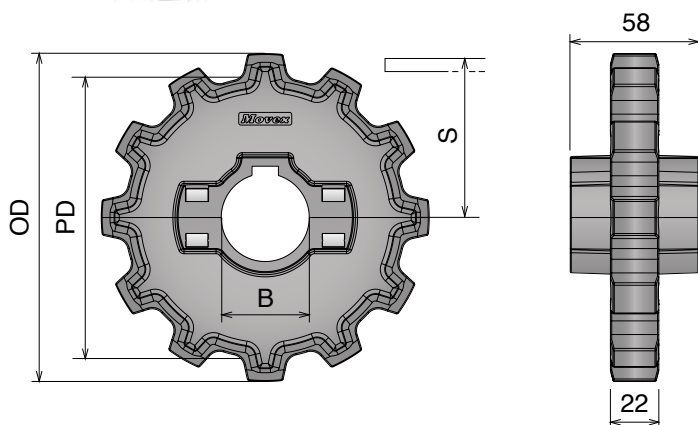
**Materiale / Material / Materialien:**

Poliamide rinforzato/Polyamide reinforced/Verstärktes Polyamid  
 Viti: Acciaio inox/Screws: Stainless steel/Schrauben: Edelstahl  
 Dadi: Ottone nichelato/Nuts: Nickel plated brass/Mutter: Messing

## 882 Ruota traino divisa, stampata

### Split drive sprocket, molded / geteiltes Antriebskettenrad, gespritzt

Delivery:	Easy	Standard	Also suitable for Series 8257	Part	Article-Nr.	Z-	Bore	PD	OD	S
				556	55601	12	25	147,2	149,0	78,4
				556	55602		30			
				556	55603		35			
				556	55604		40			



## Ruota rinvio divisa, stampata

### Split idler sprocket, molded / geteiltes Umlenkrad, gespritzt

Part	Article-Nr.	Z-	Bore	PD	OD	S
556	55651	12	25	147,2	149,0	78,4
556	55652		30			
556	55653		35			
556	55654		40			

