

# 880 TAB

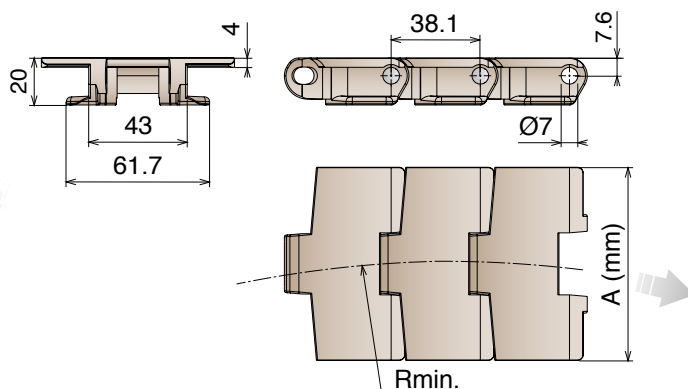
Catene in plastica / Plastic chains / Kunststoffkette

## 880 TAB

Catena curvilinea  
Sideflexing chain / Kurvengängige Scharnierbandkette

Delivery: **Easy** **Standard**

Pins: Stainless Steel | Backflex radius min.: 40 mm



### TAB SYSTEM



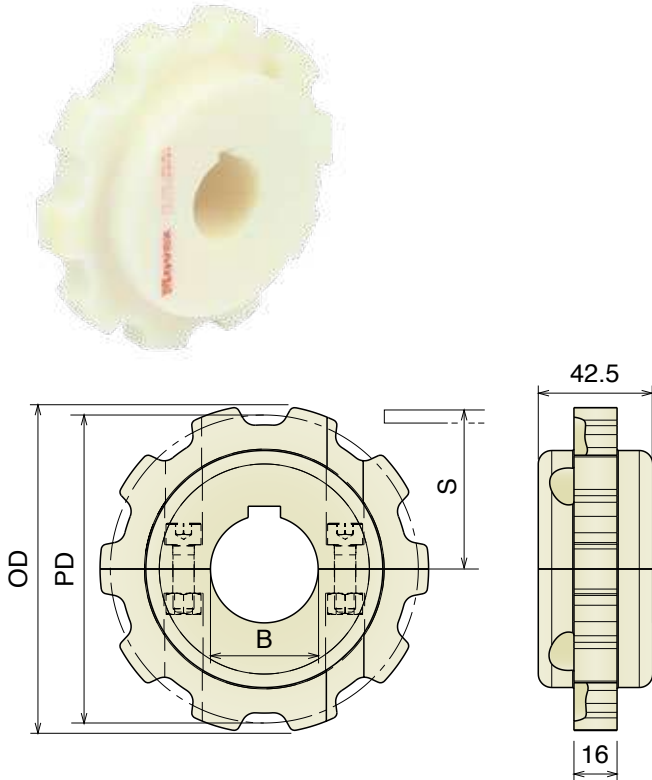
Article-Nr.	Ref.	A (Plate Width) mm	R mm	Weight kg/m	Max working load N	Material
11110102	LF 880 TAB K325	82,5	457	1,015	2200	LF
11110103	LF 880 TAB K330	83,8	457	1,018		
11110105	LF 880 TAB K450	114,3	457	1,09		
11110302	MX 880 TAB K325	82,5	457	1,015	1750	MX
11110303	MX 880 TAB K330	83,8	457	1,018		
11110305	MX 880 TAB K450	114,3	457	1,09		
11113002	PFX 880 TAB K325	82,5	457	1,015	1750	PFX
11113003	PFX 880 TAB K330	83,8	457	1,018		
11113005	PFX 880 TAB K450	114,3	457	1,09		
11112502	MPX 880 TAB K325	82,5	457	1,015	2200	MPX
11112503	MPX 880 TAB K330	83,8	457	1,018		
11112505	MPX 880 TAB K450	114,3	457	1,09		
11111602	DKM 880 TAB K325	82,5	457	1,015	2200	DKM
11111603	DKM 880 TAB K330	83,8	457	1,018		
11111605	DKM 880 TAB K450	114,3	457	1,09		
11111702	MWX 880 TAB K325	82,5	457	1,015	2200	MWX
11111703	MWX 880 TAB K330	83,8	457	1,018		
11111705	MWX 880 TAB K450	114,3	457	1,09		

## 880

## Ruota traino divisa, fresata

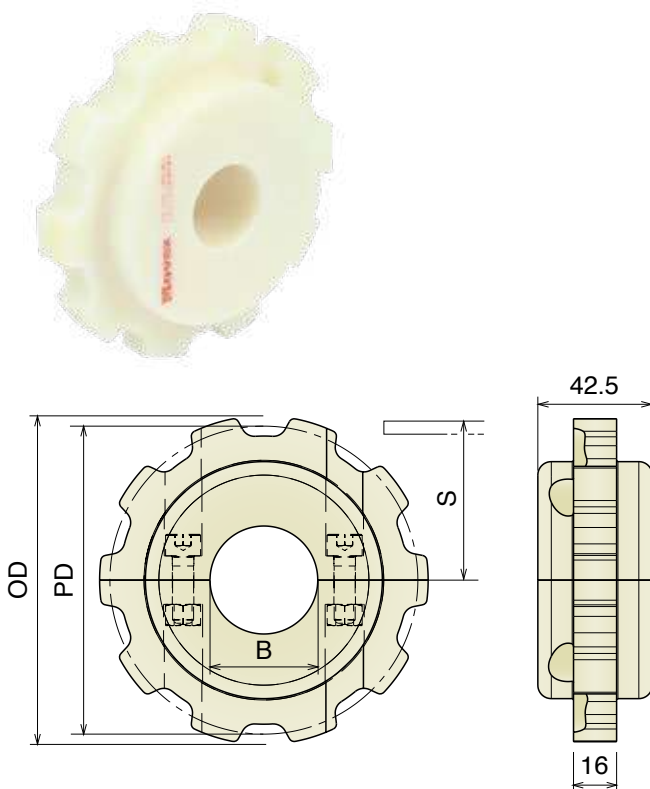
## Split drive sprocket, machined / geteiltes Antriebskettenrad gefräst

Delivery:	Easy	Standard	Used also for Series 828 - 878 TAB - 879 M - 879 TAB - 888 TAB - 888 TAB GT	Part	Article-Nr.	Z	Bore	PD	OD	S
				545	54501	9	25	111,4	110,0	59,3
				545	54502		30			
				545	54503		35			
				545	54504		40			
				546	54601	10	25	123,3	122,0	65,25
				546	54602		30			
				546	54603		35			
				546	54604		40			
				547	54701	11	25	135,2	135,0	71,2
				547	54702		30			
				547	54703		35			
				547	54704		40			
				548	54801	12	25	147,2	147,3	77,2
				548	54802		30			
				548	54803		35			
				548	54804		40			



## Ruota rinvio divisa, fresata

## Split idler sprocket, machined / geteiltes Umlenrad, gefräst



Part	Article-Nr.	Z	Bore	PD	OD	S
545	54550	9	18*	111,4	110,0	59,3
545	54551		25			
545	54552		30			
545	54553		35			
545	54554		40			
546	54650	10	18*	123,3	122,0	65,25
546	54651		25			
546	54652		30			
546	54653		35			
546	54654		40			
547	54750	11	18*	135,2	135,0	71,2
547	54751		25			
547	54752		30			
547	54753		35			
547	54754		40			
548	54850	12	18*	147,2	147,3	77,2
548	54851		25			
548	54852		30			
548	54853		35			
548	54854		40			

\*Plain Bore

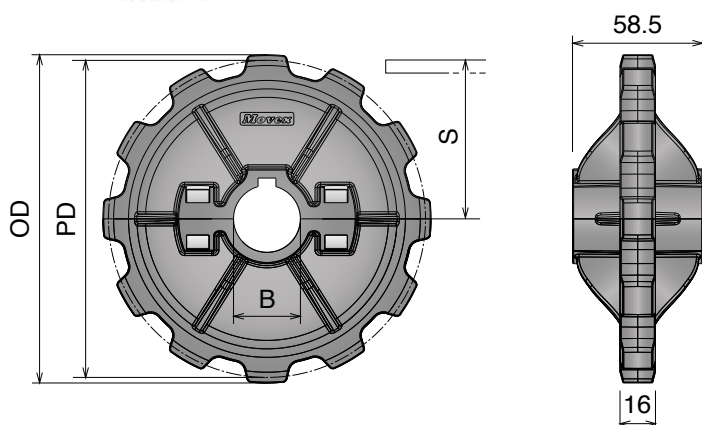
**Materiale / Material / Materialien:**

Poliamide rinforzato/Polyamide reinforced/Verstärktes Polyamid  
 Viti: Acciaio inox/Screws: Stainless steel/Schrauben: Edelstahl  
 Dadi: Ottone nichelato/Nuts: Nickel plated brass/Mutter: Messing

## 880 Ruota traino divisa, stampata

### Split drive sprocket, molded / geteiltes Antriebskettenrad, gespritzt

Delivery:	Easy	Standard	Used also for Series 828 - 878 TAB - 879 M - 879 TAB - 888 TAB - 888 TAB GT	Part	Article-Nr.	Z-	Bore	PD	OD	S
				549	54901	10	25	123,3	122,0	65,25
				549	54902		30			
				549	54903		35			
				549	54904		40			
				550	55001	12	25	147,2	147,3	77,2
				550	55002		30			
				550	55003		35			
				550	55004		40			



## Ruota rinvio divisa, stampata

### Split idler sprocket, molded / geteiltes Umlenkrad, gespritzt

Part	Article-Nr.	Z-	Bore	PD	OD	S
549	54951	10	25	123,3	122,0	65,25
549	54952		30			
549	54953		35			
549	54954		40			
550	55051	12	25	147,2	147,3	77,2
550	55052		30			
550	55053		35			
550	55054		40			

