

# 878 TAB

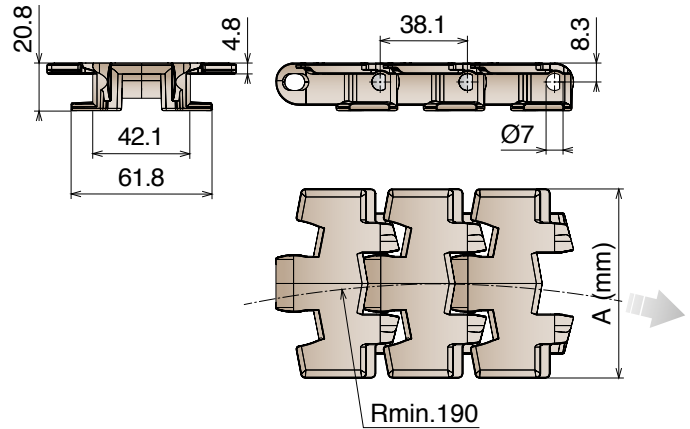
Catene in plastica / Plastic chains / Kunststoffkette

## 878 TAB

Catena curvilinea  
Sideflexing chain / Kurvengängige Scharnierbandkette

Delivery: **Easy** **Standard**

Pins: Stainless Steel | Backflex radius min.: 50 mm



### TAB SYSTEM



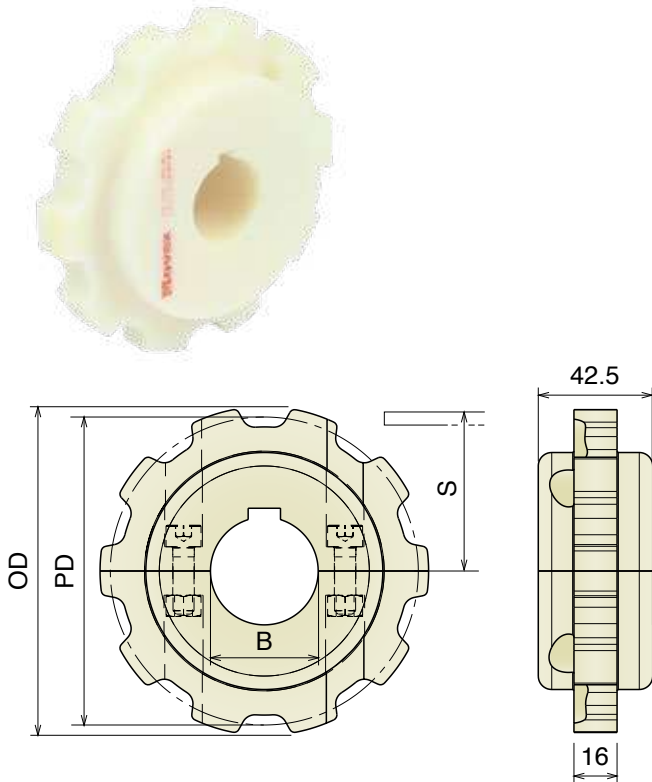
| Article-Nr. | Ref.             | A (Plate Width) mm | Weight kg/m | Max working load N | Material |
|-------------|------------------|--------------------|-------------|--------------------|----------|
| 11190102    | LF 878 TAB K325  | 82,5               | 1,06        | 2200               | LF       |
| 11190105    | LF 878 TAB K450  | 114,3              | 1,18        |                    |          |
| 11190302    | MX 878 TAB K325  | 82,5               | 1,06        | 1750               | MX       |
| 11190305    | MX 878 TAB K450  | 114,3              | 1,18        |                    |          |
| 11191602    | DKM 878 TAB K325 | 82,5               | 1,06        | 2200               | DKM      |
| 11191605    | DKM 878 TAB K450 | 114,3              | 1,18        |                    |          |

## 880

## Ruota traino divisa, fresata

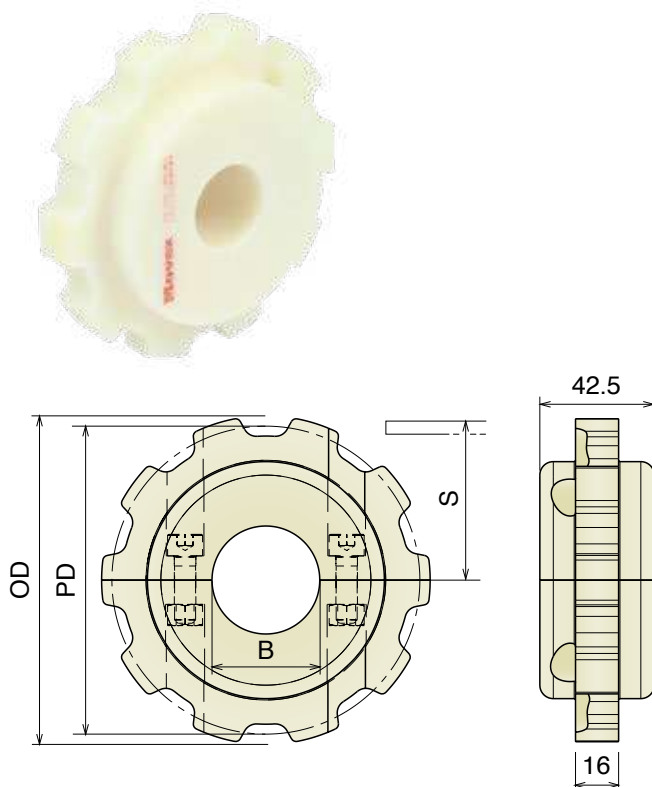
## Split drive sprocket, machined / geteiltes Antriebskettenrad gefräst

| Delivery: | Easy | Standard | Used also for Series 828 - 878 TAB - 879 M - 879 TAB - 888 TAB - 888 TAB GT | Part | Article-Nr. | Z  | Bore | PD    | OD    | S     |
|-----------|------|----------|---|------|-------------|----|------|-------|-------|-------|
|           |      |          |   | 545  | 54501       | 9  | 25   | 111,4 | 110,0 | 59,3  |
|           |      |          |   | 545  | 54502       |    | 30   |       |       |       |
|           |      |          |   | 545  | 54503       |    | 35   |       |       |       |
|           |      |          |   | 545  | 54504       |    | 40   |       |       |       |
|           |      |          |   | 546  | 54601       | 10 | 25   | 123,3 | 122,0 | 65,25 |
|           |      |          |   | 546  | 54602       |    | 30   |       |       |       |
|           |      |          |   | 546  | 54603       |    | 35   |       |       |       |
|           |      |          |   | 546  | 54604       |    | 40   |       |       |       |
|           |      |          |   | 547  | 54701       | 11 | 25   | 135,2 | 135,0 | 71,2  |
|           |      |          |   | 547  | 54702       |    | 30   |       |       |       |
|           |      |          |   | 547  | 54703       |    | 35   |       |       |       |
|           |      |          |   | 547  | 54704       |    | 40   |       |       |       |
|           |      |          |   | 548  | 54801       | 12 | 25   | 147,2 | 147,3 | 77,2  |
|           |      |          |   | 548  | 54802       |    | 30   |       |       |       |
|           |      |          |   | 548  | 54803       |    | 35   |       |       |       |
|           |      |          |   | 548  | 54804       |    | 40   |       |       |       |



## Ruota rinvio divisa, fresata

## Split idler sprocket, machined / geteiltes Umlenrad, gefräst



| Part | Article-Nr. | Z  | Bore | PD    | OD    | S     |
|------|-------------|----|------|-------|-------|-------|
| 545  | 54550       | 9  | 18*  | 111,4 | 110,0 | 59,3  |
| 545  | 54551       |    | 25   |       |       |       |
| 545  | 54552       |    | 30   |       |       |       |
| 545  | 54553       |    | 35   |       |       |       |
| 545  | 54554       |    | 40   |       |       |       |
| 546  | 54650       | 10 | 18*  | 123,3 | 122,0 | 65,25 |
| 546  | 54651       |    | 25   |       |       |       |
| 546  | 54652       |    | 30   |       |       |       |
| 546  | 54653       |    | 35   |       |       |       |
| 546  | 54654       |    | 40   |       |       |       |
| 547  | 54750       | 11 | 18*  | 135,2 | 135,0 | 71,2  |
| 547  | 54751       |    | 25   |       |       |       |
| 547  | 54752       |    | 30   |       |       |       |
| 547  | 54753       |    | 35   |       |       |       |
| 547  | 54754       |    | 40   |       |       |       |
| 548  | 54850       | 12 | 18*  | 147,2 | 147,3 | 77,2  |
| 548  | 54851       |    | 25   |       |       |       |
| 548  | 54852       |    | 30   |       |       |       |
| 548  | 54853       |    | 35   |       |       |       |
| 548  | 54854       |    | 40   |       |       |       |

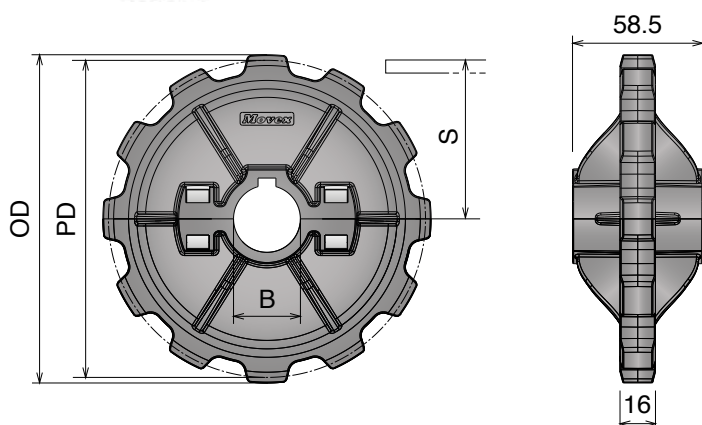
\*Plain Bore

**Materiale / Material / Materialien:**

Poliammide rinforzato/Polyamide reinforced/Verstärktes Polyamid  
 Viti: Acciaio inox/Screws: Stainless steel/Schrauben: Edelstahl  
 Dadi: Ottone nichelato/Nuts: Nickel plated brass/Mutter: Messing

**880****Ruota traino divisa, stampata****Split drive sprocket, molded / geteiltes Antriebskettenrad, gespritzt**

| Delivery: | Easy | Standard | Used also for Series 828 - 878 TAB - 879 M - 879 TAB - 888 TAB - 888 TAB GT | Part | Article-Nr. | Z- | Bore | PD    | OD    | S     |
|-----------|------|----------|---|------|-------------|----|------|-------|-------|-------|
|           |      |          |   | 549  | 54901       | 10 | 25   | 123,3 | 122,0 | 65,25 |
|           |      |          |   | 549  | 54902       |    | 30   |       |       |       |
|           |      |          |   | 549  | 54903       |    | 35   |       |       |       |
|           |      |          |   | 549  | 54904       |    | 40   |       |       |       |
|           |      |          |   | 550  | 55001       | 12 | 25   | 147,2 | 147,3 | 77,2  |
|           |      |          |   | 550  | 55002       |    | 30   |       |       |       |
|           |      |          |   | 550  | 55003       |    | 35   |       |       |       |
|           |      |          |   | 550  | 55004       |    | 40   |       |       |       |

**Ruota rinvio divisa, stampata****Split idler sprocket, molded / geteiltes Umlenkrad, gespritzt**

| Part | Article-Nr. | Z- | Bore | PD    | OD    | S     |
|------|-------------|----|------|-------|-------|-------|
| 549  | 54951       | 10 | 25   | 123,3 | 122,0 | 65,25 |
| 549  | 54952       |    | 30   |       |       |       |
| 549  | 54953       |    | 35   |       |       |       |
| 549  | 54954       |    | 40   |       |       |       |
| 550  | 55051       | 12 | 25   | 147,2 | 147,3 | 77,2  |
| 550  | 55052       |    | 30   |       |       |       |
| 550  | 55053       |    | 35   |       |       |       |
| 550  | 55054       |    | 40   |       |       |       |

