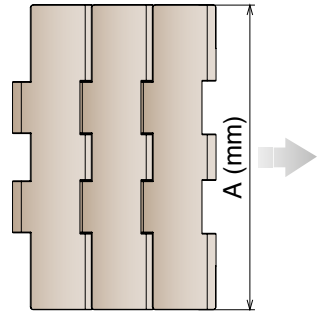
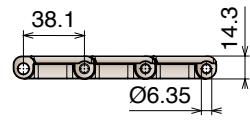
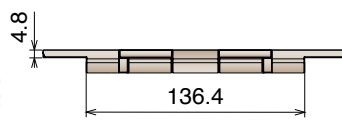


821 Catena rettilinea Straight running chain / Geradegängige Scharnierbandkette

Delivery: **Easy** **Standard**

Pins: Stainless Steel | Backflex radius min.: 50 mm



80 links



pg. 84/111



pg. 771>781

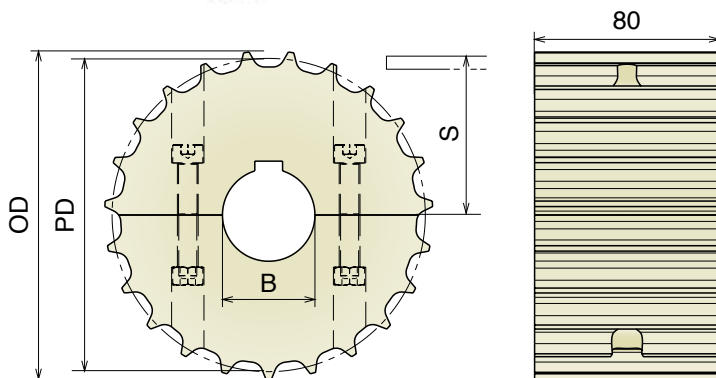
| Article-Nr. | Ref. | A (Plate Width) mm | Weight kg/m | Max working load N | Material |
|-------------|---------------|--------------------|-------------|--------------------|----------|
| 11040107 | LF 821 K750 | 190,5 | 2,55 | 2770 | LF |
| 11040108 | LF 821 K1000 | 254,0 | 3,05 | | |
| 11040109 | LF 821 K1200 | 304,8 | 3,35 | | |
| 11040307 | MX 821 K750 | 190,5 | 2,55 | 2200 | MX |
| 11040308 | MX 821 K1000 | 254,0 | 3,05 | | |
| 11040309 | MX 821 K1200 | 304,8 | 3,35 | | |
| 11042507 | MPX 821 K750 | 190,5 | 2,55 | 2770 | MPX |
| 11042508 | MPX 821 K1000 | 254,0 | 3,05 | | |
| 11042509 | MPX 821 K1200 | 304,8 | 3,35 | | |

805-821

Ruota traino divisa, fresata

Split drive sprocket, machined / geteiltes Antriebskettenrad gefräst

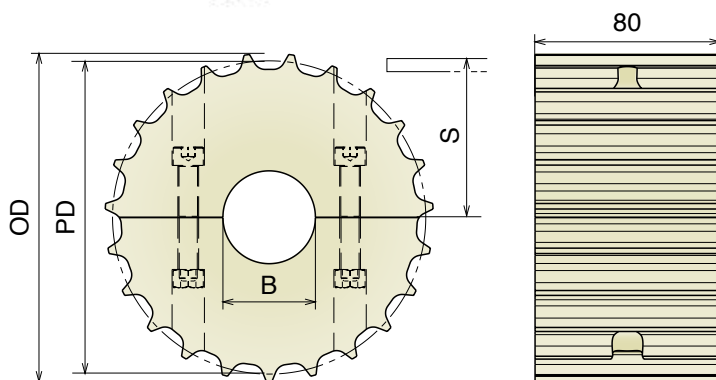
Delivery: **Easy** **Standard**



| Part | Article-Nr. | Z | Bore | PD | OD | S |
|------|-------------|----|------|-------|-------|------|
| 521 | 52101 | 17 | 25 | 105,5 | 103,9 | 55,9 |
| 521 | 52102 | | 30 | | | |
| 521 | 52103 | | 35 | | | |
| 521 | 52104 | | 40 | | | |
| 522 | 52201 | 19 | 25 | 117,3 | 117,0 | 61,9 |
| 522 | 52202 | | 30 | | | |
| 522 | 52203 | | 35 | | | |
| 522 | 52204 | | 40 | | | |
| 523 | 52301 | 21 | 25 | 129,3 | 129,0 | 67,8 |
| 523 | 52302 | | 30 | | | |
| 523 | 52303 | | 35 | | | |
| 523 | 52304 | | 40 | | | |
| 524 | 52401 | 23 | 25 | 141,2 | 142,0 | 73,8 |
| 524 | 52402 | | 30 | | | |
| 524 | 52403 | | 35 | | | |
| 524 | 52404 | | 40 | | | |
| 525 | 52501 | 25 | 25 | 153,2 | 154,0 | 79,8 |
| 525 | 52502 | | 30 | | | |
| 525 | 52503 | | 35 | | | |
| 525 | 52504 | | 40 | | | |
| 526 | 52601 | 27 | 25 | 165,2 | 166,8 | 85,8 |
| 526 | 52602 | | 30 | | | |
| 526 | 52603 | | 35 | | | |
| 526 | 52604 | | 40 | | | |
| 527 | 52701 | 29 | 25 | 177,2 | 178,5 | 91,8 |
| 527 | 52702 | | 30 | | | |
| 527 | 52703 | | 35 | | | |
| 527 | 52704 | | 40 | | | |

Ruota rinvio divisa, fresata

Split idler sprocket, machined / geteiltes Umlenrad, gefräst



| Part | Article-Nr. | Z | Bore | PD | OD | S |
|------|-------------|----|------|-------|-------|------|
| 521 | 52150 | 17 | 18* | 105,5 | 103,9 | 55,9 |
| 521 | 52151 | | 25 | | | |
| 521 | 52152 | | 30 | | | |
| 521 | 52153 | | 35 | | | |
| 521 | 52154 | | 40 | | | |
| 522 | 52250 | 19 | 18* | 117,3 | 117,0 | 61,9 |
| 522 | 52251 | | 25 | | | |
| 522 | 52252 | | 30 | | | |
| 522 | 52253 | | 35 | | | |
| 522 | 52254 | | 40 | | | |
| 523 | 52350 | 21 | 18* | 129,3 | 129,0 | 67,8 |
| 523 | 52351 | | 25 | | | |
| 523 | 52352 | | 30 | | | |
| 523 | 52353 | | 35 | | | |
| 523 | 52354 | | 40 | | | |
| 524 | 52450 | 23 | 18* | 141,2 | 142,0 | 73,8 |
| 524 | 52451 | | 25 | | | |
| 524 | 52452 | | 30 | | | |
| 524 | 52453 | | 35 | | | |
| 524 | 52454 | | 40 | | | |
| 525 | 52550 | 25 | 18* | 153,2 | 154,0 | 79,8 |
| 525 | 52551 | | 25 | | | |
| 525 | 52552 | | 30 | | | |
| 525 | 52553 | | 35 | | | |
| 525 | 52554 | | 40 | | | |
| 526 | 52650 | 27 | 18* | 165,2 | 166,8 | 85,8 |
| 526 | 52651 | | 25 | | | |
| 526 | 52652 | | 30 | | | |
| 526 | 52653 | | 35 | | | |
| 526 | 52654 | | 40 | | | |
| 527 | 52750 | 29 | 18* | 177,2 | 178,5 | 91,8 |
| 527 | 52751 | | 25 | | | |
| 527 | 52752 | | 30 | | | |
| 527 | 52753 | | 35 | | | |
| 527 | 52754 | | 40 | | | |

*Plain Bore

Materiale / Material / Materialien:

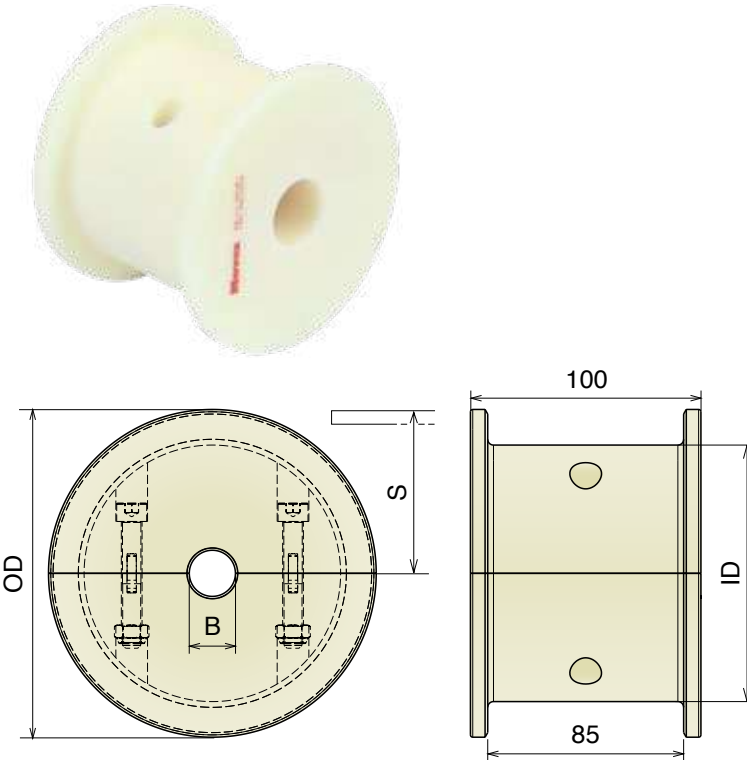
Poliamide/Polyamide/Polyamid

Viti: Acciaio inox/Screws: Stainless steel/Schrauben: Edelstahl

Dadi: ferro zincato/Nuts: zinc plated steel/Mutter: verzinkter Stahl

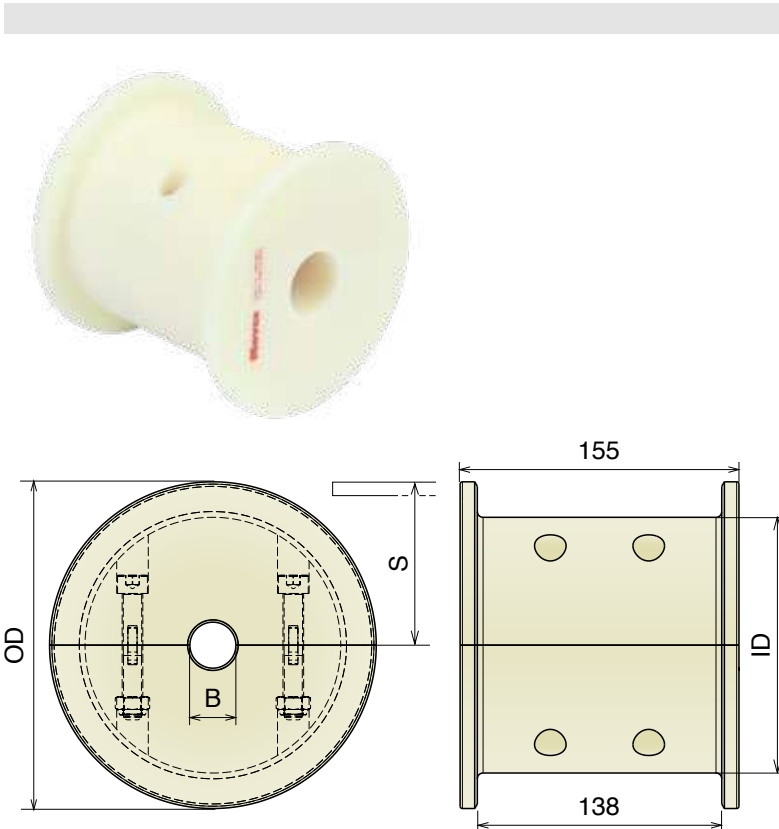
805 Ruota rinvio liscia, divisa, fresata Split idler wheel, machined / geteilte Umlenkrolle, gefräst

Delivery: **Easy** Standard



| Part | Article-Nr. | ecq. Z. | Bore | OD | ID | S |
|------|-------------|---------|------|-------|-------|------|
| 611 | 61100 | 17 | 20 | 104,0 | 75,2 | 56,2 |
| 611 | 61101 | | 25 | | | |
| 611 | 61102 | | 30 | | | |
| 611 | 61103 | | 35 | | | |
| 611 | 61104 | | 40 | | | |
| 612 | 61200 | 19 | 20 | 117,0 | 92,2 | 62,6 |
| 612 | 61201 | | 25 | | | |
| 612 | 61202 | | 30 | | | |
| 612 | 61203 | | 35 | | | |
| 612 | 61204 | | 40 | | | |
| 613 | 61300 | 21 | 20 | 129,8 | 105,0 | 68,6 |
| 613 | 61301 | | 25 | | | |
| 613 | 61302 | | 30 | | | |
| 613 | 61303 | | 35 | | | |
| 613 | 61304 | | 40 | | | |
| 614 | 61400 | 23 | 20 | 142,2 | 111,3 | 74,6 |
| 614 | 61401 | | 25 | | | |
| 614 | 61402 | | 30 | | | |
| 614 | 61403 | | 35 | | | |
| 614 | 61404 | | 40 | | | |
| 615 | 61500 | 25 | 20 | 154,7 | 124,7 | 80,5 |
| 615 | 61501 | | 25 | | | |
| 615 | 61502 | | 30 | | | |
| 615 | 61503 | | 35 | | | |
| 615 | 61504 | | 40 | | | |
| 616 | 61600 | 27 | 20 | 167,2 | 135,0 | 88,5 |
| 616 | 61601 | | 25 | | | |
| 616 | 61602 | | 30 | | | |
| 616 | 61603 | | 35 | | | |
| 616 | 61604 | | 40 | | | |
| 617 | 61700 | 29 | 20 | 179,3 | 140,0 | 92,8 |
| 617 | 61701 | | 25 | | | |
| 617 | 61702 | | 30 | | | |
| 617 | 61703 | | 35 | | | |
| 617 | 61704 | | 40 | | | |

821 Ruota rinvio liscia, divisa, fresata Split idler wheel, machined / geteilte Umlenkrolle, gefräst



| Part | Article-Nr. | ecq. Z. | Bore | OD | ID | S |
|------|-------------|---------|------|-------|-------|------|
| 625 | 62500 | 19 | 20 | 117,0 | 92,2 | 62,6 |
| 625 | 62501 | | 25 | | | |
| 625 | 62502 | | 30 | | | |
| 625 | 62503 | | 35 | | | |
| 625 | 62504 | | 40 | | | |
| 626 | 62600 | 21 | 20 | 129,8 | 105,0 | 68,6 |
| 626 | 62601 | | 25 | | | |
| 626 | 62602 | | 30 | | | |
| 626 | 62603 | | 35 | | | |
| 626 | 62604 | | 40 | | | |
| 627 | 62700 | 23 | 20 | 142,2 | 111,3 | 74,6 |
| 627 | 62701 | | 25 | | | |
| 627 | 62702 | | 30 | | | |
| 627 | 62703 | | 35 | | | |
| 627 | 62704 | | 40 | | | |
| 628 | 62800 | 25 | 20 | 154,7 | 124,7 | 80,5 |
| 628 | 62801 | | 25 | | | |
| 628 | 62802 | | 30 | | | |
| 628 | 62803 | | 35 | | | |
| 628 | 62804 | | 40 | | | |