

812 GT/815 GT

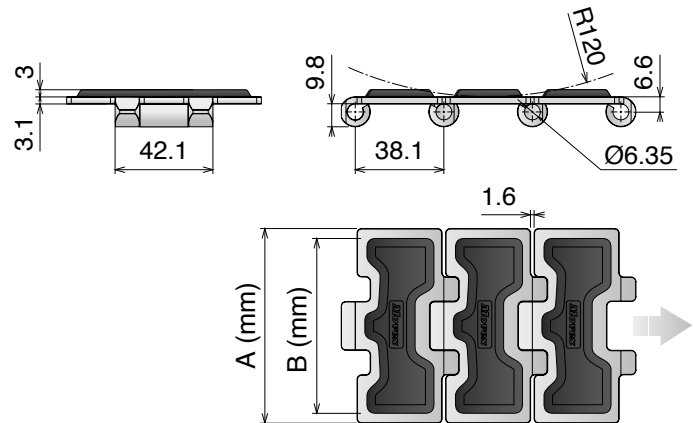
Catene in acciaio / Steel chains / Scharnierbandketten aus Edelstahl

812 GT/815 GT

Catena rettilinea
Straight running chain / Geradegängige Scharnierbandkette

Delivery: **Easy** **Standard**

Pins: Martensitic 1.4057 | Backflex radius min.: 120 mm



Article-Nr.	Ref.	A (Plate Width) mm	B (Rubber Width) mm	Weight kg/m	Max working load (N)	Plate/Rubber Thickness mm
-------------	------	--------------------	---------------------	-------------	----------------------	---------------------------

SS Ferritic Stainless Steel (1.4016)

10020202	SS 812 GT K325	82,5	75	2,80	5400	Plate 3,1 Rubber 3
-----------------	-----------------------	------	----	------	------	--------------------

SSE Specially treated Ferritic Stainless Steel (1.4589) - Hardened pins

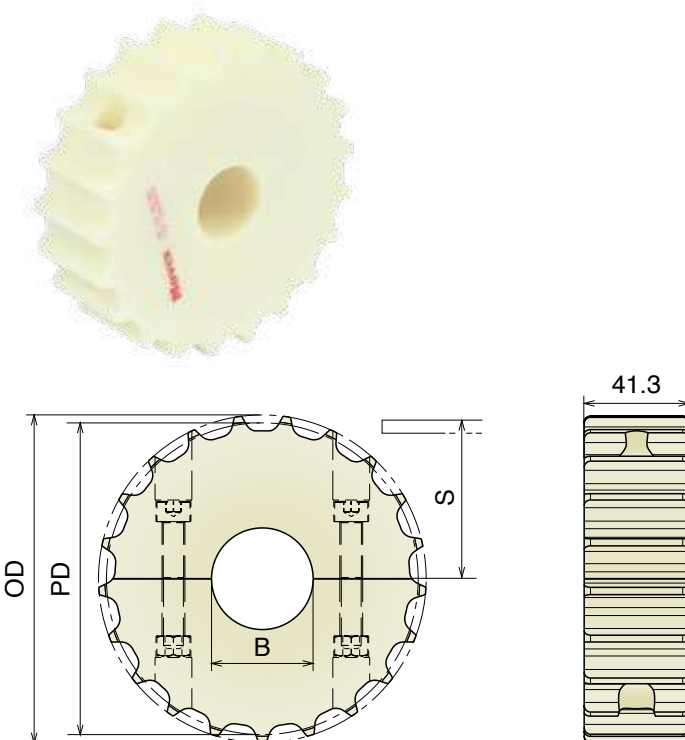
10020102	SSE 815 GT K325	82,5	75	2,80	6000	Plate 3,1 Rubber 3
10020105	SSE 815 GT K450	114,3	107	3,55		
10020107	SSE 815 GT K750	190,5	140	5,55		

815

Ruota traino divisa, fresata
Split drive sprocket, machined / geteiltes Antriebskettenrad gefräst

Delivery:	Easy	Standard	Also suitable for Series 881 M	Part	Article-Nr.	Z	Bore	PD	OD	S
				501	50101	17	25	105,5	103,9	55,9
				501	50102		30			
				501	50103		35			
				501	50104		40			
				502	50201	19	25	117,3	117,0	61,9
				502	50202		30			
				502	50203		35			
				502	50204		40			
				503	50301	21	25	129,3	129,0	67,8
				503	50302		30			
				503	50303		35			
				503	50304		40			
				504	50401	23	25	141,2	142,0	73,8
				504	50402		30			
				504	50403		35			
				504	50404		40			
				505	50501	25	25	153,2	154,0	79,8
				505	50502		30			
				505	50503		35			
				505	50504		40			
				506	50601	27	25	165,2	166,8	85,8
				506	50602		30			
				506	50603		35			
				506	50604		40			
				507	50701	29	25	177,2	178,5	91,8
				507	50702		30			
				507	50703		35			
				507	50704		40			

Ruota rinvio divisa, fresata Split idler sprocket, machined / geteiltes Umlenrad, gefräst



Part	Article-Nr.	Z	Bore	PD	OD	S
501	50150	17	18*	105,5	103,9	55,9
501	50151		25			
501	50152		30			
501	50153		35			
501	50154		40			
502	50250	19	18*	117,3	117,0	61,9
502	50251		25			
502	50252		30			
502	50253		35			
502	50254		40			
503	50350	21	18*	129,3	129,0	67,8
503	50351		25			
503	50352		30			
503	50353		35			
503	50354		40			
504	50450	23	18*	141,2	142,0	73,8
504	50451		25			
504	50452		30			
504	50453		35			
504	50454		40			
505	50550	25	18*	153,2	154,0	79,8
505	50551		25			
505	50552		30			
505	50553		35			
505	50554		40			
506	50650	27	18*	165,2	166,8	85,8
506	50651		25			
506	50652		30			
506	50653		35			
506	50654		40			
507	50750	29	18*	177,2	178,5	91,8
507	50751		25			
507	50752		30			
507	50753		35			
507	50754		40			

*Plain Bore

Materiale / Material / Materialien:

Poliamide rinforzato/Polyamide reinforced/Verstärktes Polyamid
 Viti: Acciaio inox/Screws: Stainless steel/Schrauben: Edelstahl
 Dadi: Ottone nichelato/Nuts: Nickel plated brass/Mutter: Messing

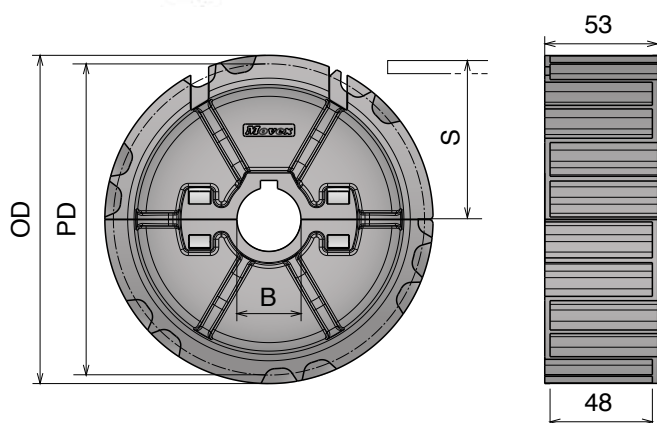
815

Ruota traino divisa, stampata

Split drive sprocket, molded / geteiltes Antriebskettenrad, gespritzt

Delivery: **Easy** **Standard** Also suitable for Series 881 M

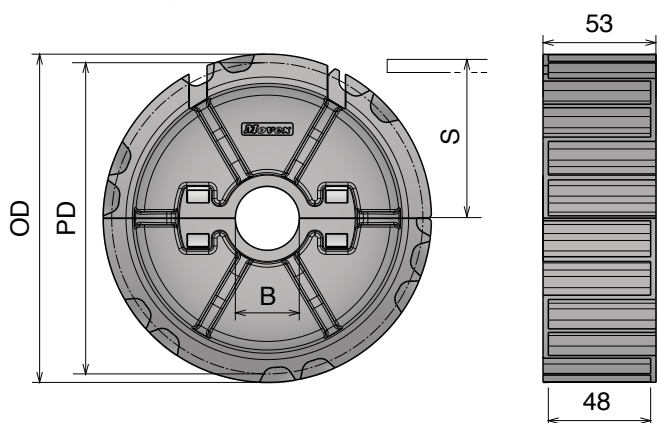
Part	Article-Nr.	Z-	Bore	PD	OD	S
508	50801	21	25	129,3	129,0	67,8
508	50802		30			
508	50803		35			
508	50804		40			
509	50901	23	25	141,2	142,0	73,8
509	50902		30			
509	50903		35			
509	50904		40			
510	51001	25	25	153,2	154,0	79,8
510	51002		30			
510	51003		35			
510	51004		40			



Ruota rinvio divisa, stampata

Split idler sprocket, molded / geteiltes Umlenkrad, gespritzt

Part	Article-Nr.	Z-	Bore	PD	OD	S
508	50851	21	25	129,3	129,0	67,8
508	50852		30			
508	50853		35			
508	50854		40			
509	50951	23	25	141,2	142,0	73,8
509	50952		30			
509	50953		35			
509	50954		40			
510	51051	25	25	153,2	154,0	79,8
510	51052		30			
510	51053		35			
510	51054		40			



Materiale / Material / Materialien:

Poliammide/Polyamide/Polyamid

Viti: Acciaio inox/Screws: Stainless steel/Schrauben: Edelstahl

Dadi: Ferro zincato/Nuts: Zinc plated steel/Mutter: Verzinkter Stahl

815-8157

Ruote dentate per catene / Chain sprockets / Kettenräder für Scharnierbandketten

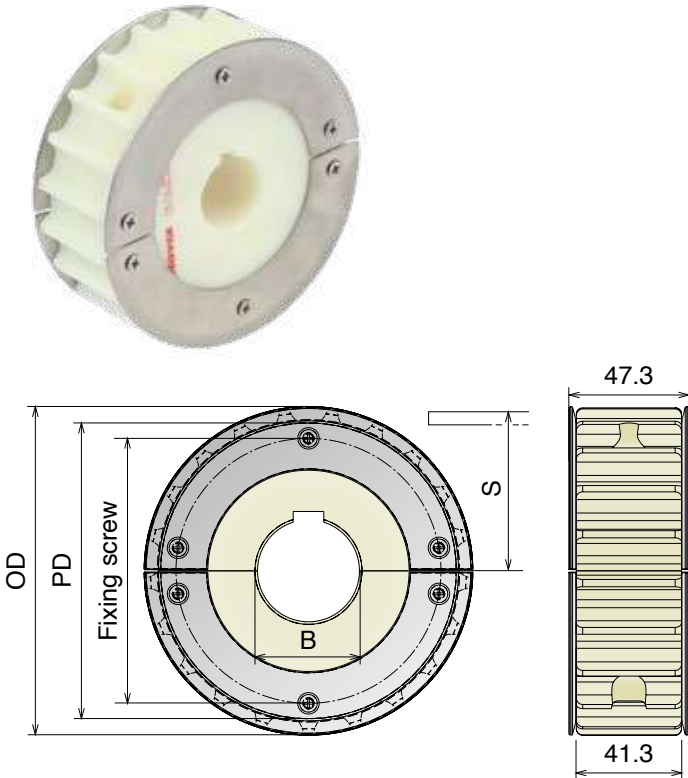
815

Ruota flangiata divisa, fresata

Split sprocket with guides, machined / Geteiltes Kettenrad mit Bordscheibe, gefräst

Delivery: **Easy** **Standard** Anelli Inox / SS Guide-rings / Edelstahl Bordscheibe
Also suitable for Series 881 M

Part	Article-Nr.	Z-	Bore	PD	OD	S	Ø screw
501	50101G	17	25	105,5	103,9	55,9	80,0
501	50102G		30				
501	50103G		35				
501	50104G		40				
503	50301G	21	25	129,3	129,0	67,8	104,0
503	50302G		30				
503	50303G		35				
503	50304G		40				
504	50401G	23	25	141,2	142,0	73,8	116,0
504	50402G		30				
504	50403G		35				
504	50404G		40				
505	50501G	25	25	153,2	154,0	79,8	128,0
505	50502G		30				
505	50503G		35				
505	50504G		40				



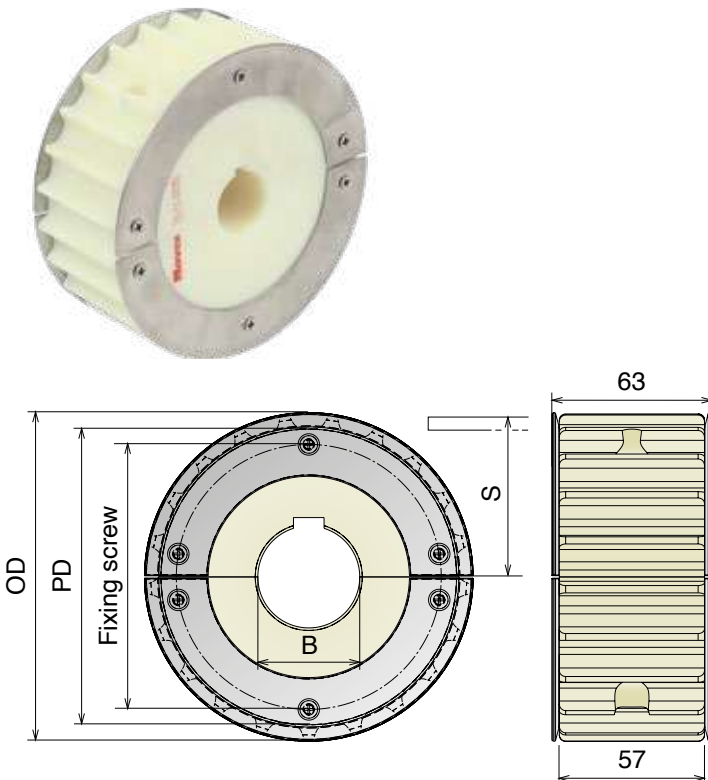
8157

Ruota flangiata divisa, fresata

Split sprocket with guides, machined / Geteiltes Kettenrad mit Bordscheibe, gefräst

Anelli Inox / SS Guide-rings / Edelstahl Bordscheibe
Also suitable for Series 8857 M

Part	Article-Nr.	Z-	Bore	PD	OD	S	Ø screw
528	52801G	17	25	105,5	103,9	55,9	80,0
528	52802G		30				
528	52803G		35				
528	52804G		40				
530	53001G	21	25	129,3	129,0	67,8	104,0
530	53002G		30				
530	53003G		35				
530	53004G		40				
531	53101G	23	25	141,2	142,0	73,8	116,0
531	53102G		30				
531	53103G		35				
531	53104G		40				
532	53201G	25	25	153,2	154,0	79,8	128,0
532	53202G		30				
532	53203G		35				
532	53204G		40				



Materiale / Material / Materialien:

Poliammide/Polyamide/Polyamid

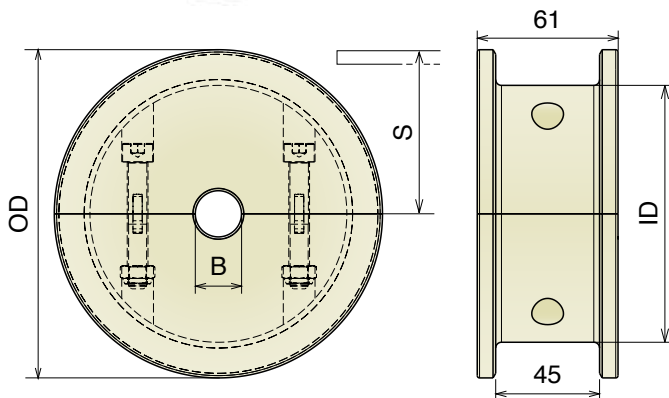
Viti: Acciaio inox/Screws: Stainless steel/Schrauben: Edelstahl

Dadi: ferro zincato/Nuts: zinc plated steel/Mutter: verzinkter Stahl

Dadi: ottone nichelato per stampate/Nuts: nickel plated brass for molded/Mutter: Messing vernickelt für gespritzt Version

815 Ruota rinvio liscia, divisa, fresata Split idler wheel, machined / geteilte Umlenkrolle, gefräst

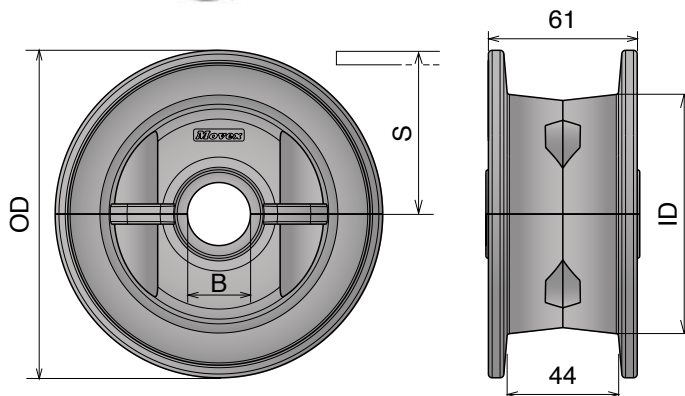
Delivery: **Easy** **Standard** Also suitable for Series 881 M - 820 - 831 - 828 - 879 M - 880 - 880 M



Part	Article-Nr.	ecq. Z.	Bore	OD	ID	S
601	60100	17	20	104,0	75,2	56,2
601	60101		25			
601	60102		30			
601	60103		35			
601	60104		40			
602	60200	19	20	117,0	92,2	62,6
602	60201		25			
602	60202		30			
602	60203		35			
602	60204		40			
603	60300	21	20	129,8	105,0	68,6
603	60301		25			
603	60302		30			
603	60303		35			
603	60304		40			
604	60400	23	20	142,2	111,3	74,6
604	60401		25			
604	60402		30			
604	60403		35			
604	60404		40			
605	60500	25	20	154,7	124,7	80,5
605	60501		25			
605	60502		30			
605	60503		35			
605	60504		40			
606	60600	27	20	167,2	135,0	88,5
606	60601		25			
606	60602		30			
606	60603		35			
606	60604		40			
607	60700	29	20	179,3	140,0	92,8
607	60701		25			
607	60702		30			
607	60703		35			
607	60704		40			

815 Ruota rinvio liscia, divisa, stampata Split idler wheel, molded / geteilte Umlenkrolle, gespritzt

Delivery: **Easy** **Standard** Also suitable for Series 881 M - 820 - 831 - 828 - 879 M - 880 - 880 M



Part	Article-Nr.	ecq. Z.	Bore	OD	ID	S
608	60801	21	25	129,8	94,8	68,6
608	60802		30			
608	60803		35			
608	60804		40			
609	60901	23	25	142,2	99,3	74,6
609	60902		30			
609	60903		35			
609	60904		40			
610	61001	25	25	154,7	102,0	80,5
610	61002		30			
610	61003		35			
610	61004		40			